

*IR Servo Manual  
(IR\_\_SC & IR\_\_SE types)*

*Date: 4/15/98*

*\$50.00*







**YASKAWA**  
Technical Service Division

# IR Servo Control System for NC CACR-IR□□C (for 1 ~ 3 axes)

## Contents

1. Outline
2. System Composition
3. Serial Numbers
4. Rating and Specification
5. Standard Combination
6. Total Connection
7. Details of Connection
8. Functions and Movements
9. Dimension Diagram
10. Warning Against Application
11. Warning Against Operation
12. Wiring
13. Problems and Measures

**YASKAWA ELECTRIC AMERICA, INC.**

|                     |         |       |
|---------------------|---------|-------|
| Original issued on: | 8/30/93 | Note: |
| Original issued by: |         |       |
| Translated on:      | 1/11/96 |       |
| Translated by:      |         |       |
| Inspected by:       |         |       |

## 1. Outline

This manual prescribes the function of the AC Servo control system (CACR-IR□□ SC, CRCR-IR□□□□ C and CRCR-IR□□□□□□ C) for the NC series. The IR type servo control application for NC is a control system of digital current controlling type which performs the positioning and speed control with it's host controller. The current command input is 46.875kHz PWM. Sequence and parameter data is input at 9600BPS serial transmission.

Figure 1. Block Diagram of AC Servo Control System

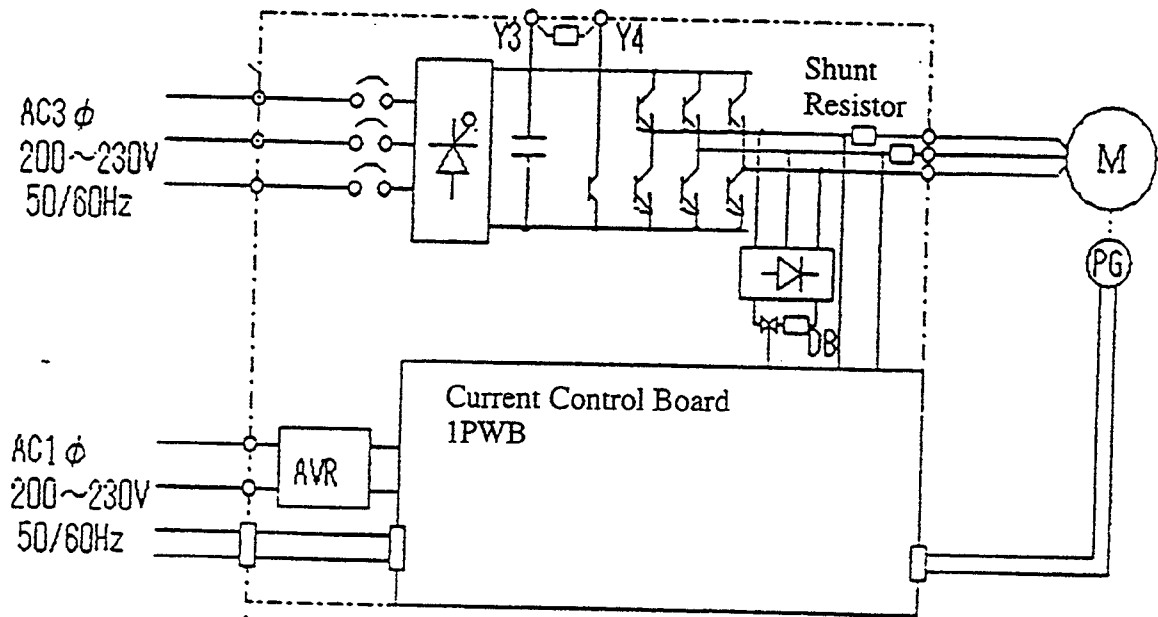


Figure 1. Block Diagram

## 2. System Composition

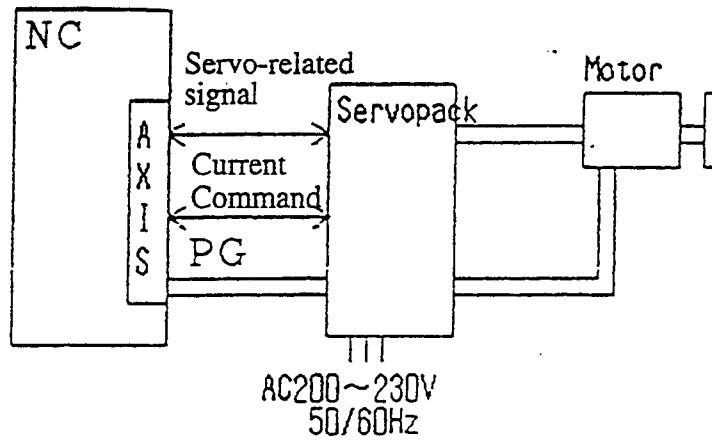
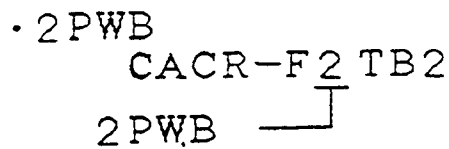
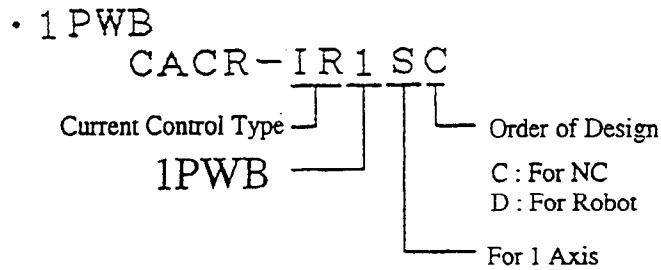
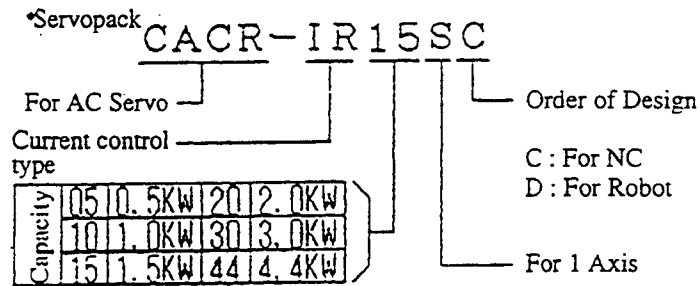


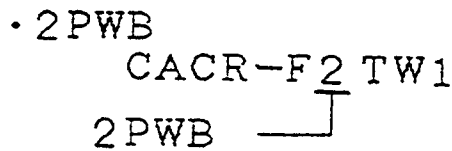
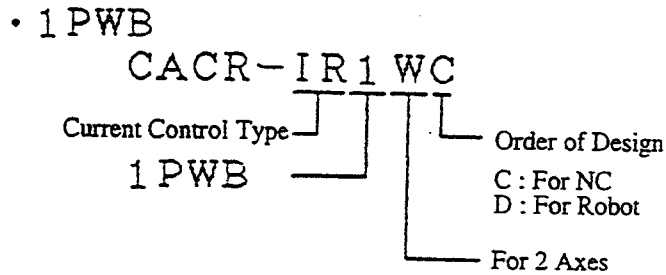
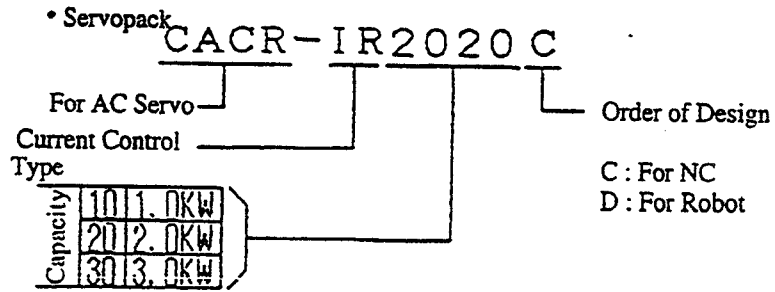
Figure 2. System Composition

## 3. How to Read Serial Numbers

### 3.1. For 1st Axis



3.2. For 2 Axes



IR3030C

CONTROL PCB HAS SUPGRATE CONNECTORS FOR NC CONTROL AND SERVO MOTOR (12CN).

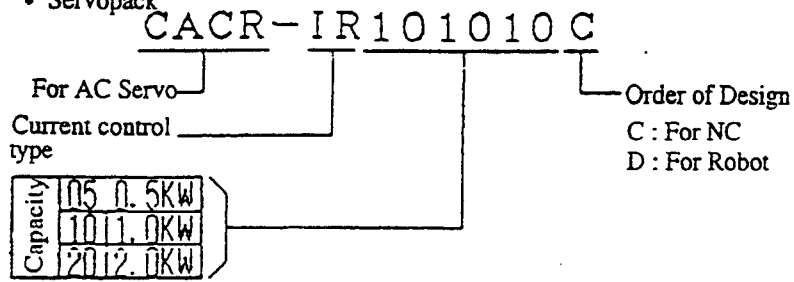
IR3030C-B

11CN, 12CN OF "3030C" ARE COMBINED IN ONE CONNECTOR (11CN). EVERYTHING ELSE IS THE SAME.

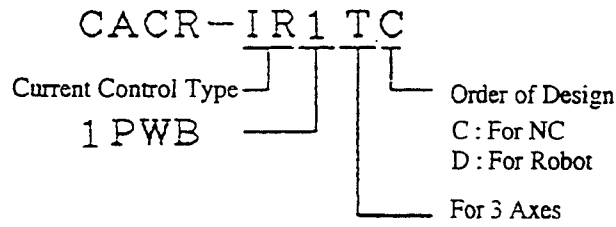
| IR****C | IR****CB      |
|---------|---------------|
| CN11    | CN1A (BOTTOM) |
| CN12    | CN1B (TOP)    |
| CN21    | CN2A (BOTTOM) |
| CN22    | CN2B (TOP)    |

3.3 For 3 Axes

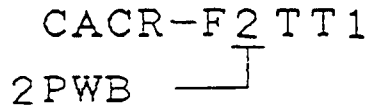
• Servopack



• 1PWB



• 2PWB





## 4. Rating and Specification

### 4.1. For 1 Axis

|                             |  |   |  |        |        |        |             |
|-----------------------------|--|---|--|--------|--------|--------|-------------|
| Corresponding Capacity KW   |  | 0.5   | 1.0  | 1.5    | 2.0    | 3.0    | 4.4         |
| Control System Type CACR-   |  | IR05SC  | IR10SC   | IR15SC | IR20SC | IR30SC | IR44SC      |
| Input Power                 | Main circuit                             | 3-phase AC 200 ~ 230V +10 ~ -15% 50 / 60Hz  |  |        |        |        |             |
|                             | Control circuit                          | Single phase AC 200 ~ 230V +10 ~ -15% 50 / 60Hz   |  |        |        |        |             |
| Environmental condition     |  | Operational Temperature : 0 ~ 55 ° C<br>Storage Temperature : - 20 ~ + 85° C<br>Operational/preserving humidity : Less than 90% (no dew)  |  |        |        |        |             |
| Structure                   |  | Base mount  |  |        |        |        |             |
| Weight                      |  | Approximately 6.0Kg   |  |        |        |        | Approx. 7Kg |
| Servo Output Characteristic | Rated current (Arms)                     | 4.2   | 7.6  | 11.7   | 18.8   | 26.0   | 33.0        |
|                             | Instantaneous current (Arms)             | 11.0  | 17.0   | 28.0   | 42.0   | 57.5   | 77.0        |
| Control Method              |  | 3-phase full-wave rectification Transistor PWM method   |  |        |        |        |             |
| Control Command             |  | U phase, V phase PWM current command (46.875KHz)<br>Conform to RS422  |  |        |        |        |             |
| Feedback                    |  | Feedback by optical encoder maximum supply current 400mA  |  |        |        |        |             |
| I/O Signal                  | Current Command                          | Input Condition   | PWM input of 46.875 kHz  |        |        |        |             |
|                             |  | Electrical Spec.  | Input 200Ω Conform to RS422  |        |        |        |             |
|                             | Serial Cmu                               | Cmu Method  | Half duplex asynchronous (9600 Bps)<br>Refer to the serial protocol spec (DEE9403276) for the details. |        |        |        |             |
|                             |  | Electrical Spec.  | Input impedance approximately 200Ω Conform to RS422  |        |        |        |             |
| Sequence Output Signal      |  | SVALM   |  |        |        |        |             |
| Built - in Function         | Protection Function                      | · Overvoltage · Overcurrent · MCCB trip · Voltage drop<br>· Open phase · Abnormal regeneration · Current command disconnection<br>· Abnormal current command · Abnormal current feedback · Abnormal CPU |  |        |        |        |             |
|                             | DB Function                              | Auto. DB which functions when the power is off, servo alarm is generated and servo is off and is built in this system.  |  |        |        |        |             |
|                             | Regenerative Process                     | Built-in  |  |        |        |        |             |
|                             | Main power source interruption contactor | Within GD <sup>2</sup> m x 5  |  |        |        |        |             |

4-2. For 2-axes

| Corresponding Capacity KW   |  | 0.5  | 1.0   | 2.0      | 3.0          |          |
|-----------------------------|--|--|---|----------|--------------|----------|
| Control System Type CACR-   |  | IR0505SC   | IR1010SC  | IR1020SC | IR2020SC     | IR3030SC |
| Input Power                 | Main circuit                             | 3-phase AC 200 ~ 230V +10 ~ -15% 50 / 60Hz   |   |          |              |          |
|                             | Control circuit                          | Single phase AC 200 ~ 230V +10 ~ -15% 50 / 60Hz  |   |          |              |          |
| Environmental condition     |  | Operational Temperature : 0 ~ 55 ° C<br>Storage Temperature : - 20 ~ + 85° C<br>Operational/preserving humidity : Less than 90% (no dew) |   |          |              |          |
| Structure                   |  | Base mount (Forced air-cooling system over 2.5m/s)   |   |          |              |          |
| Weight                      |  | Approximately 9.0Kg  |   |          | approx. 12kg |          |
| Servo Output Characteristic | Rated current (Arms)                     | 4.2  | 7.6   | 11.7     | 18.8         |          |
|                             | Instantaneous current (Arms)             | 11.0   | 17.0  | 28.0     | 42.0         |          |
| Control Method              |  | 3-phase full-wave rectification Transistor PWM method  |   |          |              |          |
| Control Command             |  | U phase, V phase PWM current command (46.875KHz)<br>Conform to RS422   |   |          |              |          |
| Feedback                    |  | Feedback by optical encoder maximum supply current 400mA   |   |          |              |          |
| I / O Signal                | Current Command                          | Input Condition  | PWM input of 46.875 kHz   |          |              |          |
|                             |  | Electrical Spec.   | Input 200Ω Conform to RS422   |          |              |          |
|                             | Serial Cmu                               | Cmu Method   | Half duplex asynchronous (9600 Bps)<br>Refer to the serial protocol spec (DEE9403276) for the details.  |          |              |          |
|                             |  | Electrical Spec.   | Input impedance approximately 200Ω Conform to RS422   |          |              |          |
|                             | Sequence Output Signal                   |  | SVALM   |          |              |          |
| Built - in Function         | Protection Function                      |  | <ul style="list-style-type: none"> <li>· Overvoltage · Overcurrent · MCCB trip · Voltage drop</li> <li>· Open phase · Abnormal regeneration · Current command disconnection</li> <li>· Abnormal current command · Abnormal current feedback · Abnormal CPU</li> </ul> |          |              |          |
|                             | DB Function                              |  | Auto. DB which functions when the power is off, servo alarm is generated and servo is off and is built in this system.  |          |              |          |
|                             | Regenerative Process                     |  | Built-in  |          |              |          |
|                             | Main power source interruption contactor |  | Within GD <sup>2</sup> m x 5  |          |              |          |

4-3. For 3-axes

|                             |  |   |  |                          |
|-----------------------------|--|---|--|--------------------------|
| Corresponding Capacity KW   |  | 0.5   | 1.0  | 2.0                      |
| Control System Type CACR-   |  | IR050505SC  | IR101010SC   | IR101020SC<br>IR202020SC |
| Input Power                 | Main circuit                             | 3-phase AC 200 ~ 230V +10 ~ -15% 50 / 60Hz  |  |                          |
|                             | Control circuit                          | Single phase AC 200 ~ 230V +10 ~ -15% 50 / 60Hz   |  |                          |
| Environmental condition     |  | Operational Temperature : 0 ~ 55 ° C<br>Storage Temperature : -20 ~ + 85° C<br>Operational/preserving humidity : Less than 90% (no dew)   |  |                          |
| Structure                   |  | Base mount (Forced air-cooling system over 2.5m/s)  |  |                          |
| Weight                      |  | Approximately 12.7Kg  |  |                          |
| Servo Output Characteristic | Rated current (Arms)                     | 4.2   | 7.6  | 11.7                     |
|                             | Instantaneous current (Arms)             | 11.0  | 17.0   | 28.0                     |
| Control Method              |  | 3-phase full-wave rectification Transistor PWM method   |  |                          |
| Control Command             |  | U phase, V phase PWM current command (46.875KHz)<br>Conform to RS422  |  |                          |
| Feedback                    |  | Feedback by optical encoder maximum supply current 400mA  |  |                          |
| I / O Signal                | Current Command                          | Input Condition   | PWM input of 46.875 kHz  |                          |
|                             |  | Electrical Spec.  | Input 200Ω Conform to RS422  |                          |
|                             | Serial Cmu                               | Cmu Method  | Half duplex asynchronous (9600 Bps)<br>Refer to the serial protocol spec (DEE9403276) for the details. |                          |
|                             |  | Electrical Spec.  | Input impedance approximately 200Ω Conform to RS422  |                          |
| Sequence Output Signal      |  | SVALM   |  |                          |
| Built - in Function         | Protection Function                      | · Overvoltage · Overcurrent · MCCB trip · Voltage drop<br>· Open phase · Abnormal regeneration · Current command disconnection<br>· Abnormal current command · Abnormal current feedback · Abnormal CPU |  |                          |
|                             | DB Function                              | Auto. DB which functions when the power is off, servo alarm is generated and servo is off and is built in this system.  |  |                          |
|                             | Regenerative Process                     | Built-in  |  |                          |
|                             | Main power source interruption contactor | Within GD <sup>2</sup> m x 5  |  |                          |

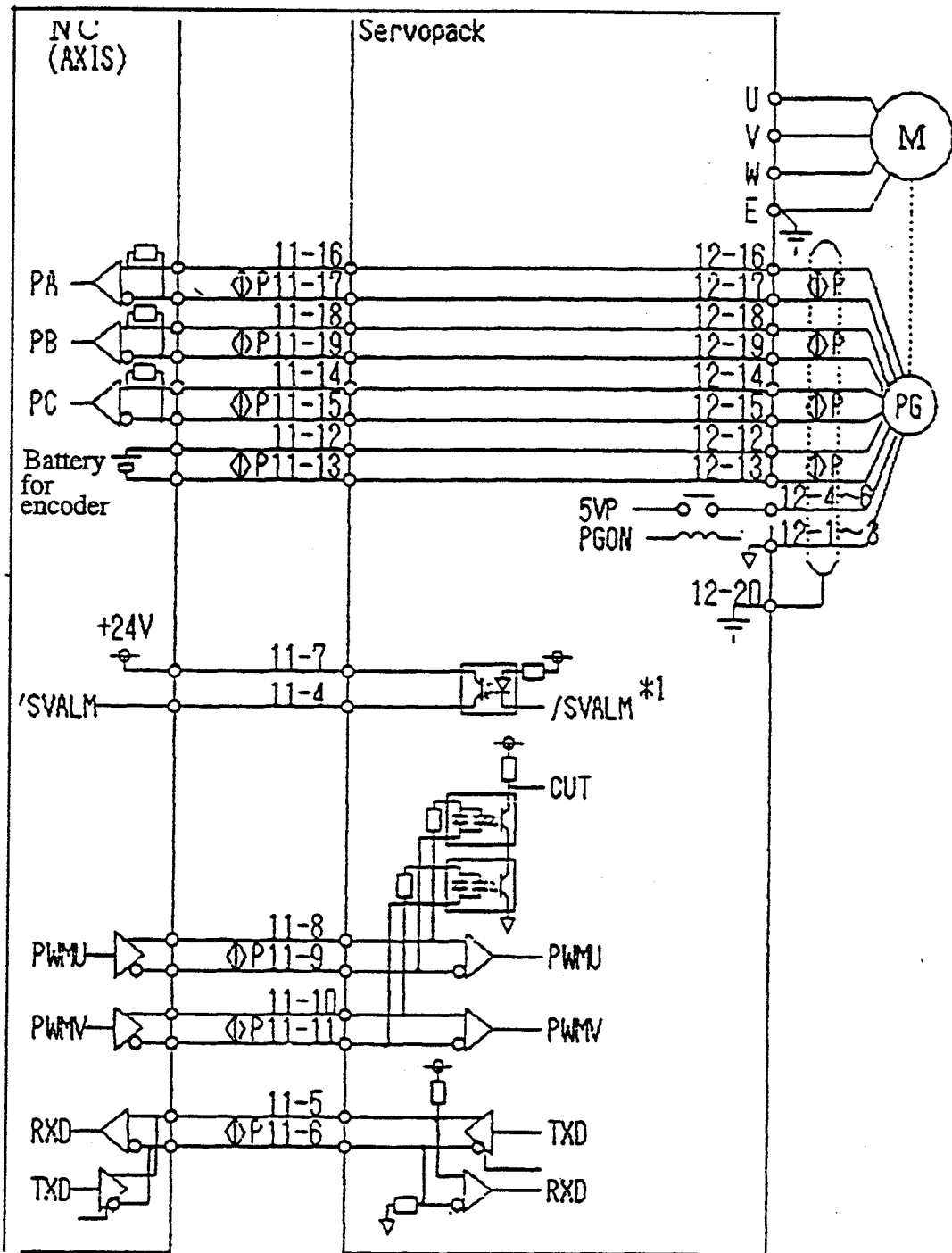
5. Standard Combination

Table 4. Combination of Servopack and Servomotor, Peripheral Devices

| Servopack Type | Applied Servomotor   | Power Supply Capacity / Motor KVA | Power Supply Capacity / MCCB |
|----------------|--|-----------------------------------|------------------------------|
| CACR-IR05SC    | Corresponding to F series 500W                                     | 1.1                               | 5                            |
| CACR-IR10SC    | Corresponding to F series 1.0KW                                    | 2.1                               | 8                            |
| CACR-IR15SC    | Corresponding to F series 1.5KW                                    | 3.1                               | 10                           |
| CACR-IR20SC    | Corresponding to F series 2.0KW                                    | 4.1                               | 12                           |
| CACR-IR30SC    | Corresponding to F series 3.0KW                                    | 6.0                               | 18                           |
| CACR-IR44SC    | Corresponding to F series 4.4KW                                    | 8.0                               | 24                           |
| CACR-IR0505C   | Corresponding to F series 500W                                     | 2.1                               | 8                            |
| CACR-IR1010C   | Corresponding to F series 1.0KW                                    | 4.1                               | 12                           |
| CACR-IR1020C   | Corresponding to F series 1.0KW<br>Corresponding to F series 2.0KW | 6.0                               | 18                           |
| CACR-IR2020C   | Corresponding to F series 2.0                                      | 8.0                               | 24                           |
| CACR-IR3030C   | Corresponding to F series 3.0KW                                    | 11.0                              | 32                           |
| CACR-IR050505C | Corresponding to F series 500W                                     | 3.1                               | 10                           |
| CACR-IR101010C | Corresponding to F series 1.0KW                                    | 6.0                               | 18                           |
| CACR-IR101020C | Corresponding to F series 1.0KW<br>Corresponding to F series 2.0KW | 8.0                               | 24                           |
| CACR-IR202020C | Corresponding to F series 2.0KW                                    | 11.0                              | 32                           |

\* Depends on the type of motor.

## 6. Total Connection



\*1: Capacity of Open Collector output is less than DC30V 30mA.

\*2: Signal I/O line  $\updownarrow$  P indicates twisted pair line.

## 7. Details of Connection

### 7-1. Connector terminal CN11, 21, 31 for I/O signal

CN11, 21, 31 of the servopack are connected with the connector of the NC AXIS.

#### (1) Specifications of the Connector

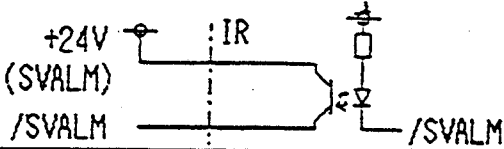
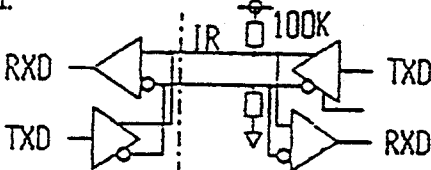
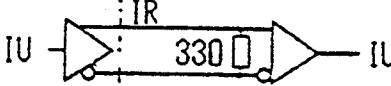
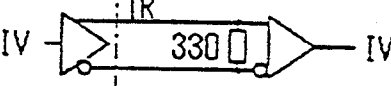
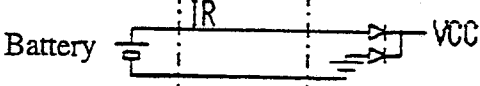
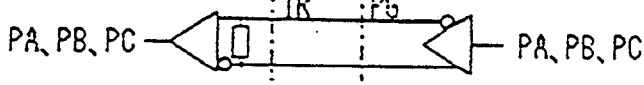
Honda Tsushin Kogyo MR connector (20-pin)  
 Servopack PWB mounted side MR-20RMA (right angle type)  
 Cable side MR-20F (connector)  
 MR-20L (connector case)

#### (2) Connector Pin Arrangement

Table 5.

|                         |     |                         |                    |                          |       |              |
|-------------------------|-----|-------------------------|--------------------|--------------------------|-------|--------------|
| 1                       | 2   | 3                       | 4                  | 5                        | 6     | 7            |
| S G                     |     | /SV ALM                 |                    | DATA                     | *DATA | SV ALM       |
| Signal 0V               |     |                         | Servo alarm output | Serial communication I/O |       | +24V Input   |
| 8                       | 9   | 10                      | 11                 | 12                       | 13    |              |
| IU                      | *IU | IV                      | *IV                | BAT                      | OBAT  |              |
| Current command U phase |     | Current command V phase |                    | Encoder battery input    |       |              |
| 14                      | 15  | 16                      | 17                 | 18                       | 19    | 20           |
| PC                      | *PC | PA                      | *PA                | *PB                      | *PB   | FG           |
| PG signal C phase       |     | PG signal A phase       |                    | PG signal B phase        |       | Frame ground |

Chart 6

| Pin No.     | Signals | Specification  |
|-------------|---------|--|
| 1<br>2<br>3 | SG      | Signal 0V (SG: System Ground)  |
| 7           | SVALM   | Turn on while normal operation (not under alarmed condition).<br>  |
| 4           | /SVALM  |  |
| 5           | DATA    | I/O for serial transmission. Conform to RS422.<br>Refer to serial protocol spec (DE9400628) for transmission method.<br> |
| 6           | *DATA   |  |
| 8           | IU      | 46.875KHz PWM current command U phase input.<br>Refer to MB651142 (DE8409818) for PWM output method.<br>                 |
| 9           | *IU     |  |
| 10          | IV      | 46.875KHz PWM current command U phase input.<br>Refer to MB651142 (DE8409818) for PWM output method.<br>               |
| 11          | *IV     |  |
| 12          | BAT     | Battery input for encoder.<br>   |
| 13          | OBAT    |  |
| 14          | PC      | Output signals from PG to AXIS side.<br>   |
| 15          | *PC     |  |
| 16          | PA      |  |
| 17          | *PA     |  |
| 18          | PB      |  |
| 19          | *PB     |  |

7-2. Connector terminal CN12, 22, 32 for PG signal  
 CN12, 22, 32 of the servopack are connected to an encoder, etc.

(1) Specifications of the Connector

Honda Tsushin Kogyo MR connector (20-pin)  
 Servopack PWB mounted side MR-20RMA (right angle type)  
 Cable side MR-20F (connector)  
 MR-20L (connector case)

(2) Connector Pin Arrangement

|                       |     |                      |                       |                      |               |                 |
|-----------------------|-----|----------------------|-----------------------|----------------------|---------------|-----------------|
| 1                     | 2   | 3                    | 4                     | 5                    | 6             | 7               |
| 0V                    | 0V  | 0V                   | +5V                   | +5V                  | +5V           |                 |
| 0V of PG power supply |     |                      | 5V of PG power supply |                      |               |                 |
|                       | 8   | 9                    | 10                    | 11                   | 12            | 13              |
|                       |     |                      |                       |                      | BAT           | 0BAT            |
|                       |     |                      |                       |                      | Battery input |                 |
| 14                    | 15  | 16                   | 17                    | 18                   | 19            | 20              |
| PC                    | *PC | PA                   | *PA                   | PB                   | *PB           | FG              |
| PG signal<br>C phase  |     | PG signal<br>A phase |                       | PG signal<br>B phase |               | Frame<br>ground |

7-3. External terminal and connector

| Symbol      | Terminal                                    | Summary   |
|-------------|---|---|
| (R) (S) (T) | Main circuit power supply input terminal    | 3-phase AC200 ~ 230V -15 ~ +10% 50 / 60Hz   |
| (U) (V) (W) | Motor connecting terminal                   | (U) and motor (A) terminal (V) connect to (R) terminal<br>(W) and motor (C) terminal motor                            |
| (r) (t)     | Control power supply input terminal         | Single phase AC200 ~ 230V -15 ~ +10% 50 / 60Hz  |
| (⊥)         | Ground terminal                             | Connect to motor (D) terminal and drop to ground.   |
| (Y3) (Y4)   | Regenerative resistance connecting terminal | (Y3) (Y4) Regenerative resistance connecting terminal at Y3, Y4.<br>(Normally, external connection is not necessary). |



## 8. Functions and Movements

### Function Block Diagram

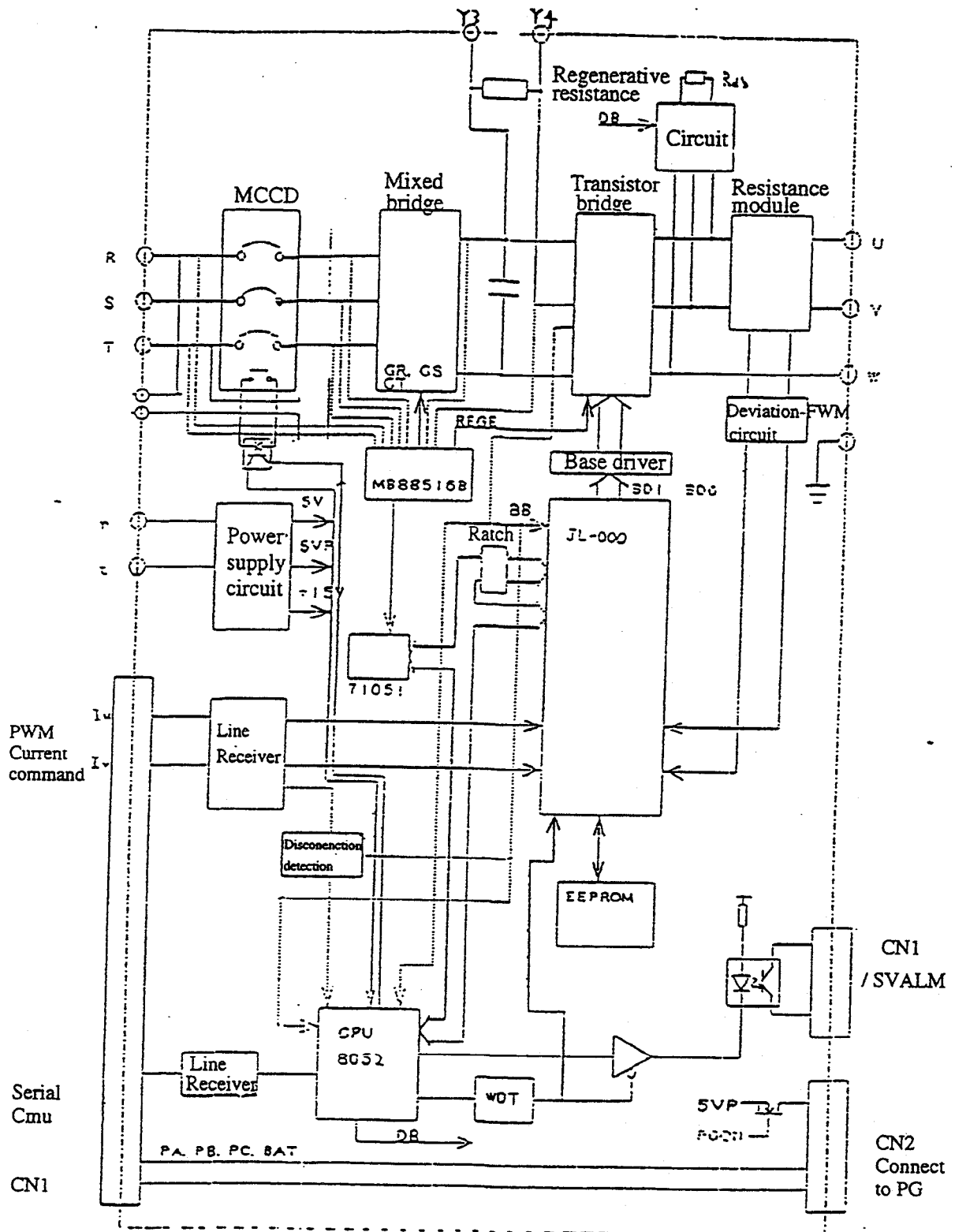


Figure 3. Block Diagram

8-1. Details of function

(1) I/O Signals

- Input for servopack current command U/V phase is done by 46.875KHz PWM.

With the current amp., the data is converted at 11.719KHz and averaged twice to create the current command. This current command changes it's weight according to the current amp. gain by the serial transmission, so it is necessary to determine the command as follows:

Current command becomes  
 $\pm 4096 \times 256$   
 at resolution  $\times 4 \cdot$  PWM saturation.

Also, the current feedback at resolution  $\cdot$  PWM saturation becomes  
 $\pm 4096 \times \text{IMUL}$  (IMUL: current amp. gain coefficient).

Refer to the serial protocol specification (DE9400628), IR setup manual (DE9400629) to determine the current command and the current amp. gain.

- Servo alarm (SVALM)

Generated if the alarm is not generated after approximately 400ms from the control power supply. The output is turned off by the servo alarm. The current detection resisting value is as follows:

**Chart 9. List of Current Detection Resisting Value for 1 Axis**

| Type CACR-                        | IR05SC | IR10SC | IR15SC | IR20SC | IR30SC | IR44SC |
|-----------------------------------|--------|--------|--------|--------|--------|--------|
| Current detection resistance (mΩ) | 20     | 10     | 10     | 5      | 5      | 3      |

**Chart 10. List of Current Detection Resisting Value for 2 Axes**

| Type CACR-                        | IR0505C | IR1010C | IR1020C                     | IR2020C | IR30SC | IR3030C |
|-----------------------------------|---------|---------|-----------------------------|---------|--------|---------|
| Current detection resistance (mΩ) | 20      | 10      | 1st axis: 10<br>2nd axis: 5 | 5       | 5      | 3       |

**Chart 11. List of Current Detection Resisting Value for 3 Axes**

| Type CACR-                        | IR050505C | IR101010C | IR101020C                                   | IR202020C |
|-----------------------------------|-----------|-----------|---|-----------|
| Current detection resistance (mΩ) | 20        | 10        | 1st axis: 10<br>2nd axis: 10<br>3rd axis: 5 | 5         |

## (2) Protecting Function

The servopack has a built-in function which protects the servopack and the motor from problems.

- **Dynamic brake**

The servopack has a built-in dynamic brake for an emergency stop which works in the following cases.

- (i) Servo alarm (Problem detected)
- (ii) Current command disconnection
- (iii) Servo off
- (iv) Main power supply off

To stop the motor, work the dynamic brake. When the main circuit function is available, the dynamic brake off can be manipulated by the serial transmission.

- **Problem detection**

When the problem is detected, /SVRDY turns off and the contents of the detection are displayed by the LED which can be read in the serial transmission (contents of the servo alarm).

- (i) **Abnormality detection**

**Chart 12. Abnormality Detecting Function**

| Abnormality Detecting Function | Contents of Detection                                 | RDY Lights Out |
|--------------------------------|---|----------------|
| Overcurrent                    | Overcurrent occurred in the main circuit              | ○              |
| MCCB trip                      | MCCB trip   | ○              |
| Abnormal regeneration          | Regeneration process circuit in iAP malfunction       | ○              |
| Overvoltage                    | DC voltage in the main circuit became abnormally high | ○              |
| Insufficient voltage           | DC voltage in the main circuit became abnormally low  | ○              |
| Ground fault                   | Main circuit has ground fault                         | ○              |
| Abnormal offset                | Abnormal current offset or no offset                  | ○              |
| Current command disconnection  | Current command cable disconnection                   | ○              |
| Open phase                     | One phase out of three is open                        | ○              |
| Abnormal CPU                   | Abnormal CPU  | ○              |

\* ○: LED goes off when the problem is detected and /SVRDY goes off.

X: LED does not go off even if the problem is detected.

(ii) Hardware problems

Chart 13. Hardware Problem Detecting Function

| Detecting Function                  | Contents  | RDY Lights Off |
|-------------------------------------|---|----------------|
| CPU ROM error                       | ROM error among CPU hardware                      | ○              |
| CPU RAM error                       | RAM error among CPU hardware                      | ○              |
| Serial transmission problem 1       | Problem with serial transmission (test mode only) | ○              |
| Serial transmission problem 2       |   | ○              |
| Gate alley problem                  | Problem with gate alley                           | ○              |
| EEROM error                         | Problem with EEROM                                | ○              |
| 4-bit micro computer problem        | Problem with 4-bit micro computer                 | ○              |
| Current feedback problem in U phase | Current feedback problem in U phase               | ○              |
| Current feedback problem in V phase | Current feedback problem in V phase               | ○              |

(3) Servo alarm reset

The servo alarm reset can be done by serial transmission. However, the alarm is a result of some abnormality in the servo, so first check to see what the problem is and do troubleshooting before resuming the operation.

#### (4) Display

The conditions are displayed by the following LED's.

Chart 14. Displayed LED

| Symbols | Model | Function  |
|---------|-------|---|
| LD3     | +5V   | Lights up when the power supply is the control power supply of +5V. |
| LD2     | RDY1  | Lights up when the servo alarm is not for the 1st axis.             |
| LD1     | RDY2  | Lights up when the servo alarm is not for the 2nd axis.             |
| LD4     | RDY3  | Lights up when the servo alarm is not for the 3rd axis.             |
| LED10   | POWER | Lights up when the main power supply is turned on.                  |

#### - (5) SW setup

SW1 - 0 ~ 2 : Axis setup

0 : 1 axis

1 : 2 axes

2 : 3 axes

Setup the axes you are going to use. Without the setup (totally open) or if wrong axes are set, the total system does not work.

For 1 axis, one out of 1 ~ 3 axes can be set.

For 2 axes, one or two out of 1 ~ 3 axes can be set.

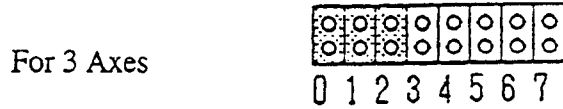
For 3 axes, all of the axes (1 ~ 3 axes) can be set.

Set all of the three axes for normal operation.

SW1 - 3 ~ 5 : Unused  
Short or open

SW1 - 6, 7 : For test only  
Open except for the test  
If SW1-7 is open, normal operation cannot be done.

The axes are as follows when shipped out:



\* SW1 - 0 ~ 2, 6, 7 of which the PROM version is over, IR3003 is as follows (setup for 2 axes is different from the above setup):

2 axes setup

- SW1 - 0 ~ 2 : Axis setup should be done as follows:

| SW1-0 | SW1-1 | SW1-2 | 1st Axis      | 2nd Axis | 3rd Axis |
|-------|-------|-------|---------------|----------|----------|
| X     | X     | X     | cannot be set |          |          |
| ○     | X     | X     | 1             | none     | none     |
| X     | ○     | X     | none          | 2        | none     |
| ○     | ○     | X     | 1             | 2        | none     |
| X     | X     | ○     | none          | none     | 3        |
| ○     | X     | ○     | 1             | none     | 3        |
| X     | ○     | ○     | none          | 2        | 3        |
| ○     | ○     | ○     | 2             | 1        | none     |

X : Open

○ : Short

SW 1 - 6 : Test only (Test mode 1)

If "short" happens, the serial transmission will be checked and regeneration will not work.

SW1 - 7 : Test only (Test mode 2)

The main circuit DC input (No. 3-phase power supply) mode will start if "short" occurs. Keep "power ready" and ignore MCCB, OV, TB alarms.

(6) Serial transmission

The sequence control, status reading, parameter setup / change / reading are done by serial transmission. Refer to the serial protocol specification DE9400628 for the details of the serial transmission.

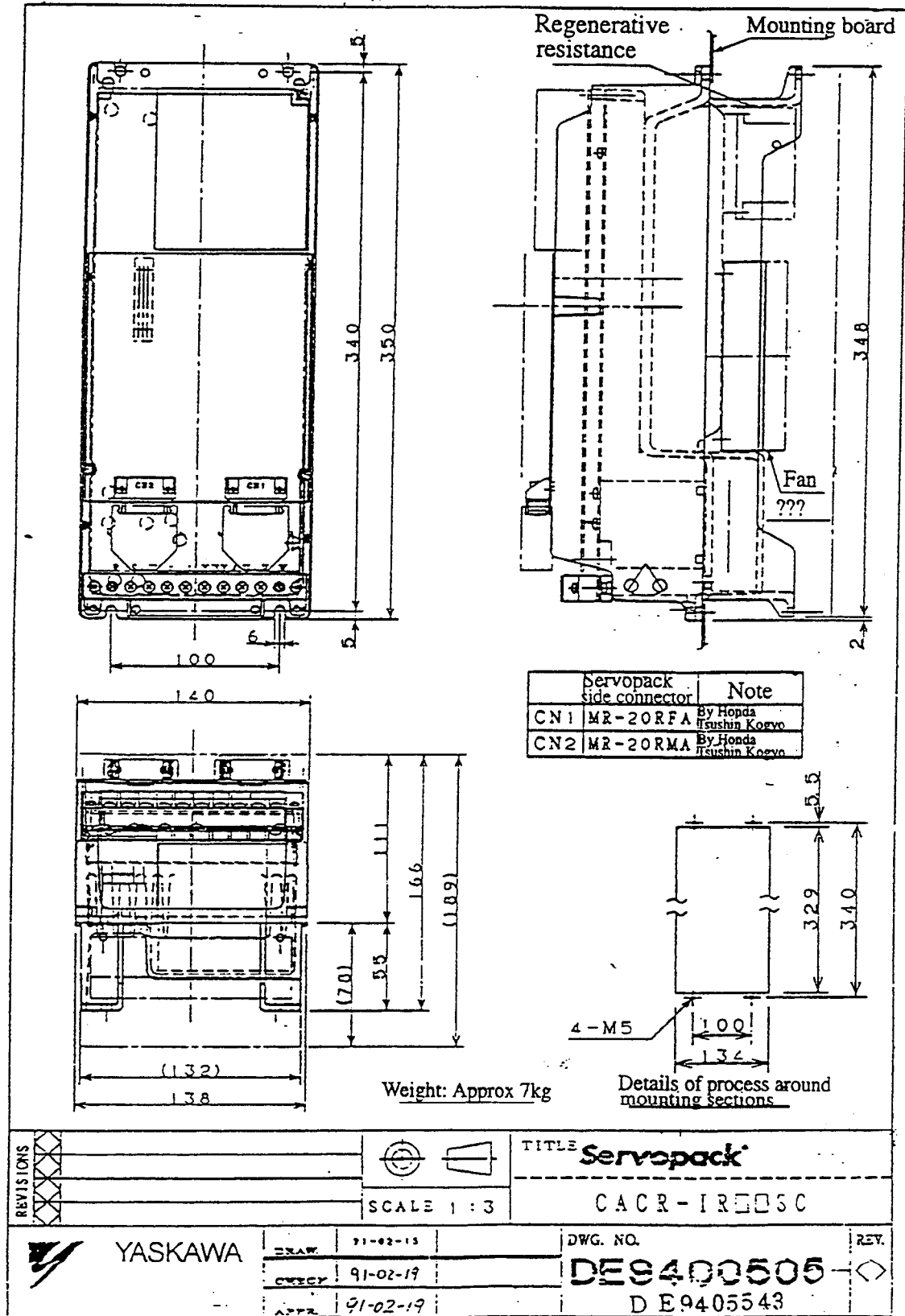
|                       |                       |                       |   |   |      |
|-----------------------|-----------------------|-----------------------|---|---|------|
| <input type="radio"/> | <input type="radio"/> | <input type="radio"/> | 2 | 1 | none |
|-----------------------|-----------------------|-----------------------|---|---|------|

X : Open

O : Short

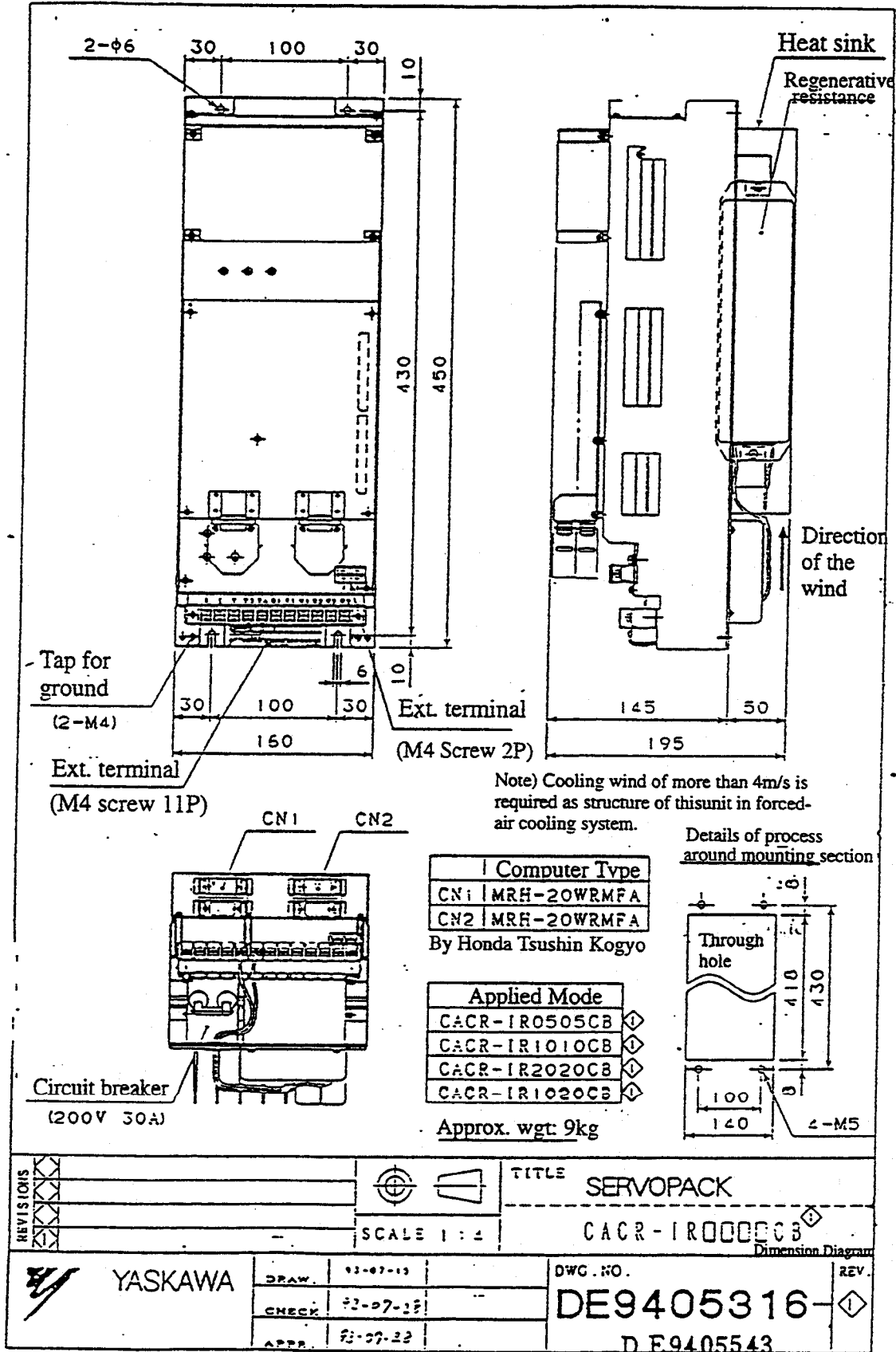
# 9. Dimension Diagram

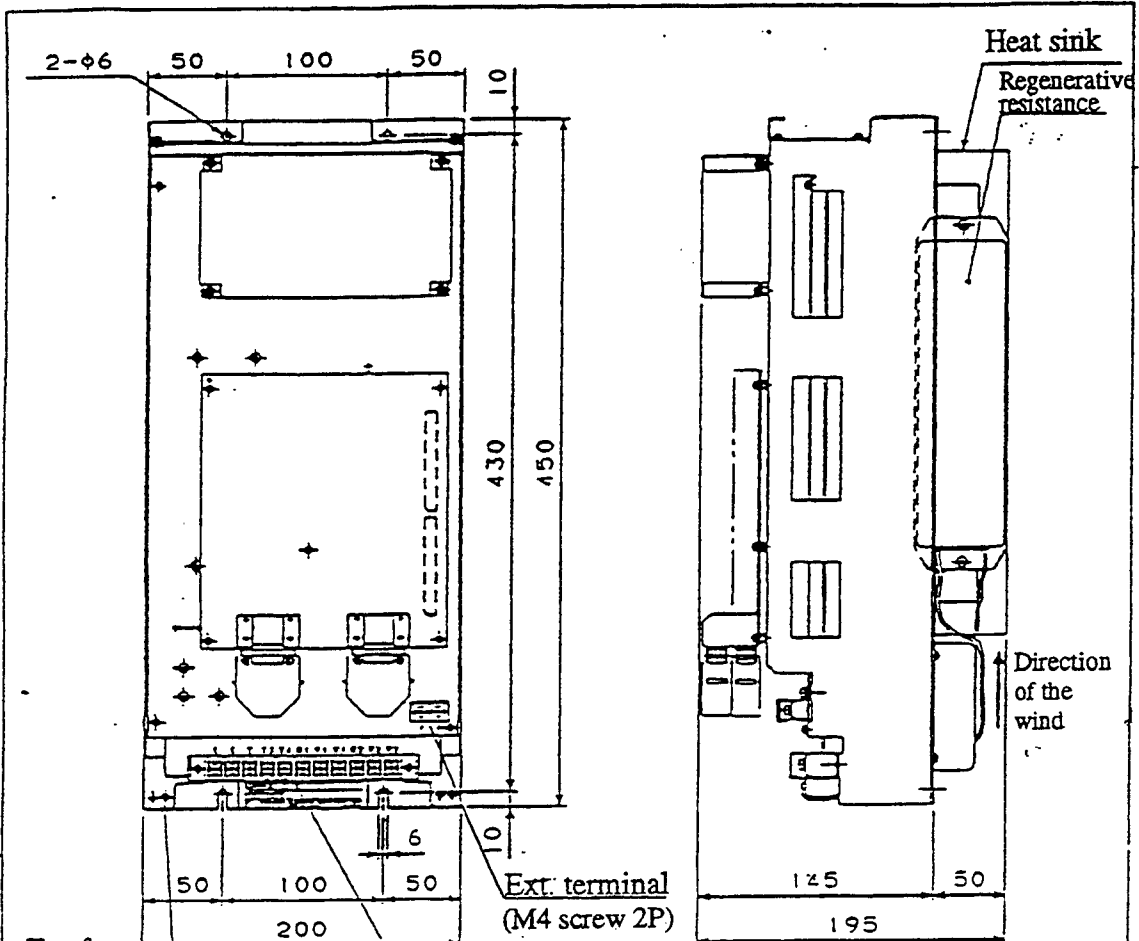
## 9.1 For 1 Axis



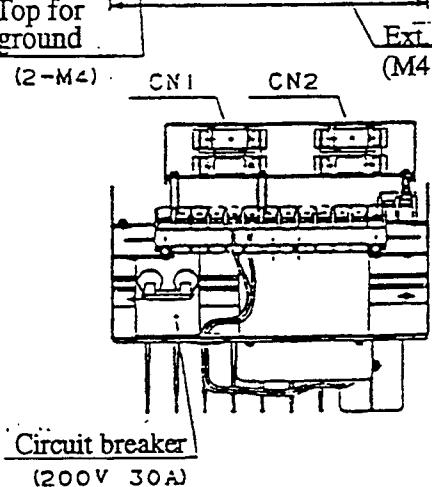


9.2. For 2 Axes



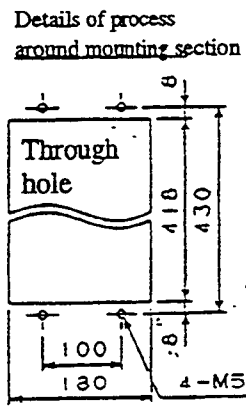


Note) Cooling wind of more than 4m/s is required as structure of this unit in forced air-cooling system.



| Connector Type |             |
|----------------|-------------|
| CN1            | MRH-20WRMFA |
| CN2            | MRH-20WRMFA |

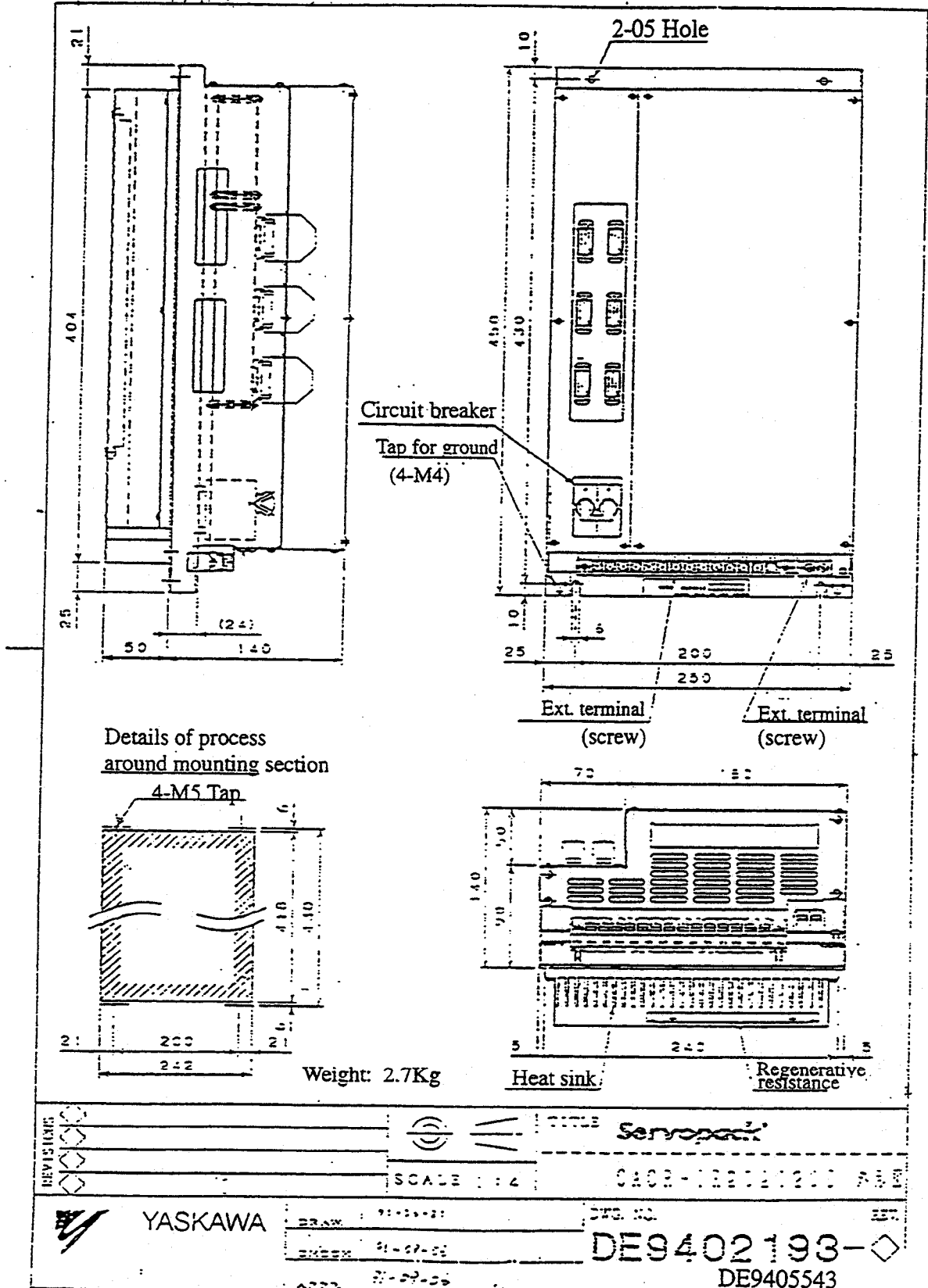
By Honda Tsūshin Kogyo



Approx. wgt: 12Kg

|           |           |          |                                    |           |
|-----------|-----------|----------|------------------------------------|-----------|
| NEVISIONS | TITLE     |          | SERVOPACK                          |           |
|           | SCALE 1:2 |          | CACR-1R3030CB<br>Dimension Diagram |           |
| YASKAWA   | DRAW      | 11-07-13 | DWG. NO.                           | DE9405317 |
|           | CHECK     | 22-07-29 |                                    | DE9405543 |
|           | APP.      | 23-07-23 | REV.                               | ①         |

9.3 For 3 Axes



|           |                |           |                    |
|-----------|----------------|-----------|--------------------|
| REVISIONS | YASKAWA        | SCALE 1:2 | TITLE Servopack    |
|           | DRAW: 91-09-01 |           | 0A02-122021200 A5E |
|           | CHKD: 91-07-01 |           | DE9402193-◇        |
|           | APP: 91-07-01  |           | DE9405543          |

## 10. Warning

### 10-1. Minus load

When a motor is rotated from the minus side, you cannot practice ?

(Example)     Supply motor drive  
                  Motor drive for taking down objects

According to the specification, the regular control abbreviation of the servopack is short-time rating, such as the motor stopping time. So, if you need to apply the capacity to the minus load, refer to DEN-S.

### 10-2. Load inertia JL

The allowable load moment of inertia JL converted to the motor shaft, must be within five times the inertia of the applicable AC SERVOMOTOR. If the allowable inertia is exceeded, an overvoltage alarm may be given during deceleration. If this occurs, take the following actions:

- Reduce the current limit.
- Slow down the deceleration curve.
- Decrease the maximum speed.

### 10-3. High voltage line

If the supply voltage is 400 / 440V, the voltage must be dropped three-phase, 400 / 440V to 200V using a power transformer. Table 18 shows the transformer selection. Connection should be made so that the power is supplied and cut through the primary side of the transformer. Single-phase 100V class power supply should not be used.

## 11. Warning

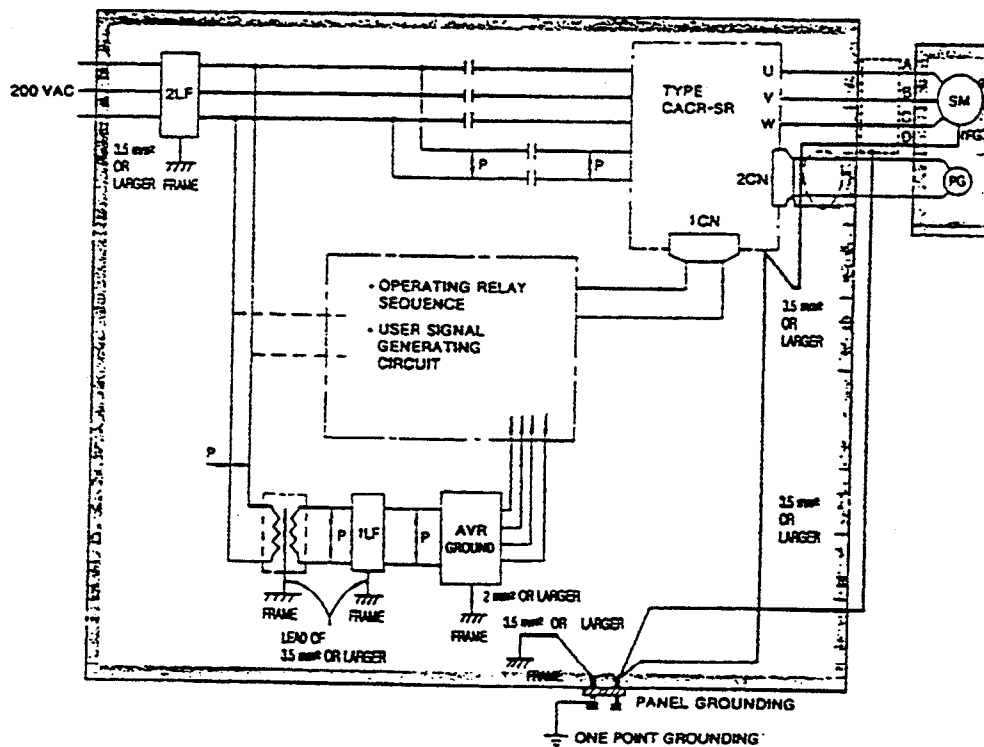
### 11-1. Noise prevention

The servopack has a power transistor in its main circuit. Sometimes, an effect of the  $di/dt$  or  $dv/dt$  (switching noise) appears as a result of the wiring process or the way the ground is set.

The servopack also has a built-in CPU, which strictly requires a proper wiring or ground processing to prevent noise as much as possible.

To prevent trouble caused by the noise, the wiring and ground process must be done as Figure 8 shows.

#### (1) Ground process



- (Note) 1. Use thick cables such as a flat mesh copper line over  $3.5\text{mm}^2$  as a cable which connects the outer cases.
2. Read the next paragraph carefully which describes the matters that require special attention when you use the noise filter.
3. The wiring between  $\updownarrow$  P should be done by the twisted pair.

- Motor frame grounding

If the motor is connected to the ground through the frame on the machine side, the  $Cf \, dv / dt$  current flows through the motor floating capacity (C+) from the PWM power section.

The E terminal of the motor (motor frame) must be connected to the  $\oplus$  terminal of the servopack when you operate in order to avoid an effect of this current.  $\oplus$  terminal of the servopack must be touched to the ground directly).

- Servopack SG OV

If there is any noise in the input signal line, ground SG OV and if the motor wiring is encased in a metal duct, the duct and the box must be connected to the ground.

All of the grounding must have one-point contacts to the ground.

## (2) Noise filter installation

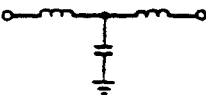
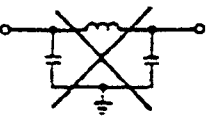
In case you need to install a noise filter to prevent a noise from the power line, you need to use the prevention type.

Table 22 shows the list of noise filter applications. Insert the noise filter to the power supply and to the peripheral apparatus as well.

### WARNING

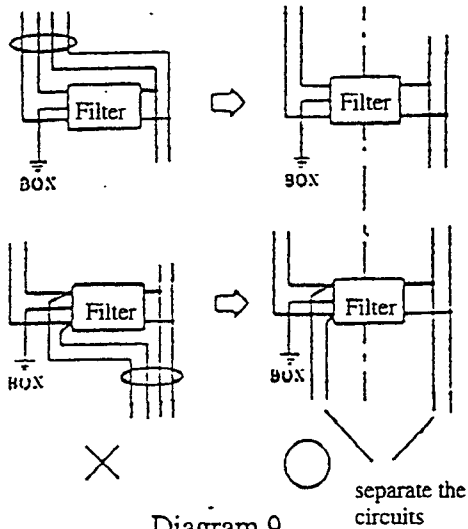
If you mishandle the noise filter setup, the effect will be drastically reduced. So when you do the wiring to install the filter, follow the instructions (Figure 9 ~ 12) carefully.

**Table 16. Application of Noise Filter**

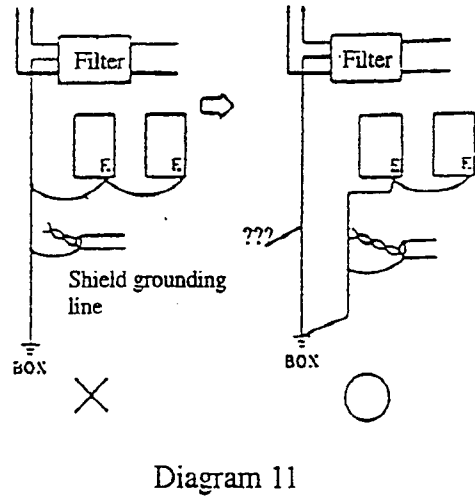
| SERVOPACK,<br>Type CACR- | Applicable<br>Noise Filter   | Recommended Noise Filter |                                    |
|--------------------------|--|--------------------------|------------------------------------|
|                          |  | Type                     | Specifications                     |
| SR03BB<br>SR05BB         |  <p>CORRECT</p> | LF-305                   | Three-phase<br>200 VAC class, 5 A  |
| SR07BB                   |  | LF-310                   | Three-phase<br>200 VAC class, 10 A |
| SR10BB<br>SR15BB         |  | LF-315                   | Three-phase<br>200 VAC class, 15 A |
| SR20BB                   |  <p>WRONG</p>   | LF-320                   | Three-phase<br>200 VAC class, 20 A |
| SR30BB                   |  | LF-330                   | Three-phase<br>200 VAC class, 30 A |
| SR44BB                   |  | LF-340                   | Three-phase<br>200 VAC class, 40 A |
| SR60BB                   |  | LF-350                   | Three-phase<br>200 VAC class, 50 A |

Note: Noise filter made by Tokin Corp.

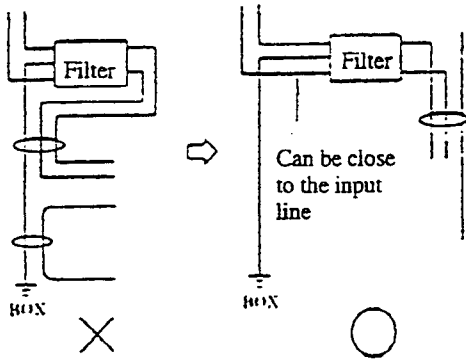
- (a) I/O wires should be separated.  
Do not fumble or put them in the same duct.



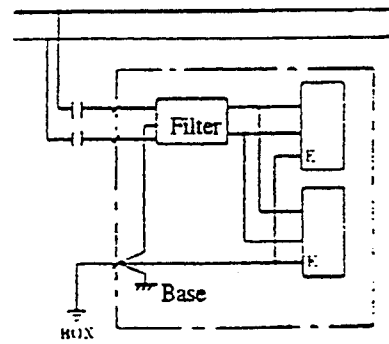
- (c) Ground line should be wired to the box or ground plate separately.



- (b) Ground line should not be placed in the same duct with the other lines such as the filter output line, signal output line, etc.



- (d) If the control panel contains the filter, connect the filter ground and the equipment ground to the base of the control unit.





## 11-2. Protecting the power line

The servopack line is operated by the commercial power supply (200V system). Therefore, we need to prepare a shut-off device for wiring (MCCB) or a fuse. (See Table 18).

In cases when using the fuse, a hasty fuse cannot be used. The fuse will be burnt out as "condensor-input-type" power supply is applied to the servopack.

**Table 18. Power Supply Capacity and MCCB or Fuse Capacity**

| Servopack Model | Power Capacity /<br>Set KVA | Power Capacity /<br>MCCB A |
|-----------------|-----------------------------|----------------------------|
| CACR-IR05SC     | 1.1                         | 5                          |
| CACR-IR10SC     | 2.1                         | 8                          |
| CACR-IR15SC     | 3.1                         | 10                         |
| CACR-IR20SC     | 4.1                         | 12                         |
| CACR-IR30SC     | 6.0                         | 18                         |
| CACR-IR44SC     | 8.0                         | 24                         |
| CACR-IR0505C    | 2.1                         | 8                          |
| CACR-IR1010C    | 4.1                         | 12                         |
| CACR-IR1020C    | 6.0                         | 18                         |
| CACR-IR2020C    | 8.0                         | 24                         |
| CACR-IR3030C    | 11.0                        | 32                         |
| CACR-IR050505C  | 3.1                         | 10                         |
| CACR-IR101010C  | 6.0                         | 18                         |
| CACR-IR101020C  | 8.0                         | 24                         |
| CACR-IR202020C  | 11.0                        | 32                         |

\* : Value applied to the rated load.

## 12. Wiring

### 12-1. Rated current and size of the wires

Tables 19 ~ 24 show the size of the wires to the rated current of the servopack and the rated current.

The wires and their sizes are selected on the basis of the current capacity and the operational environment.

Table 26 shows an environment such as the ambient temperature 40°C and the rated current flows through the bundled 3 lead wires.

Table 24 shows the type of wires.

**Table 19. Rated Current at Servopack External Terminal for 1 Axis**

|                   |  | Model<br>CACR-   | Rated Current A (Executed Value)                      |            |            |            |            |            |
|-------------------|--|------------------|---|------------|------------|------------|------------|------------|
|                   |  | Terminal<br>Mark | IR<br>05SC  | IR<br>10SC | IR<br>15SC | IR<br>20SC | IR<br>30SC | IR<br>44SC |
| On-Line Terminal  | Main circuit power supply input terminal | R, S, T          | 5   | 8          | 10         | 12         | 18         | 24         |
|                   | Motor connection terminal                | U, V W           | 4.2   | 7.6        | 11.7       | 18.8       | 26.0       | 33.0       |
|                   | Control power supply input terminal      | r, t             | 0.5   |            |            |            |            |            |
| Off-Line Terminal | I/O signal connector for control         | CN11             | max. DC100mA  |            |            |            |            |            |
|                   | PG signal connector                      | CN12             | max. DC100mA. However, the power supply line is 500mA |            |            |            |            |            |
|                   | Ground terminal                          | ⊕                |   |            |            |            |            |            |

Table 20. Rated Current Value of Servopack External Terminal for 2 Axes (A: rms)

|                                     |  | Model<br>CACR-   | Rated Current A (Executed Value)                      |             |             |             |             |
|-------------------------------------|--|------------------|---|-------------|-------------|-------------|-------------|
|                                     |  | Terminal<br>Mark | IR<br>0505C   | IR<br>1010C | IR<br>1020C | IR<br>2020C | IR<br>3030C |
| On-Line Terminal                    | Main circuit power supply input terminal | R, S, T          | 8   | 12          | 18          | 24          | 32          |
|                                     | Motor connection terminal                | U, V W           | 4.2   | 7.6         | 7.6         | 18.8        | 26.0        |
|                                     |  |                  |   |             | 18.8        |             |             |
| Control power supply input terminal | r, t                                     | 0.5              |   |             |             |             |             |
| Off-Line Terminal                   | I/O signal connector for control         | CN11, 21         | max. DC100mA  |             |             |             |             |
|                                     | PG signal connector                      | CN12, 22         | max. DC100mA. However, the power supply line is 500mA |             |             |             |             |
|                                     | Ground terminal                          | ⊥                |   |             |             |             |             |

Table 21. Rated Current Value of Servopack External Terminal for 3 Axes (A: rms)

|   |  | Model<br>CACR-   | Rated Current A (Executed Value)                         |               |                 |               |
|---|--|------------------|--|---------------|-----------------|---------------|
|   |  | Terminal<br>Mark | IR<br>050505C  | IR<br>101010C | IR<br>101020C   | IR<br>202020C |
| On-Line Terminal                            | Main circuit<br>power supply<br>input terminal | R, S, T          | 10   | 18            | 24              | 32            |
|   | Motor connection<br>terminal                   | U, V W           | 4.2  | 7.6           | 1, 2 axis : 7.6 | 18.8          |
|   |  |                  |  |               | 3rd axis : 18.8 |               |
| Control power<br>supply input ter-<br>minal | r, t   | 0.5              |  |               |                 |               |
| Off-Line Terminal                           | I/O signal connec-<br>tor for control          | CN11,<br>21, 31  | max. DC100mA   |               |                 |               |
|   | PG signal connec-<br>tor                       | CN12,<br>22, 32  | max. DC100mA. However, the power supply<br>line is 500mA |               |                 |               |
|   | Ground terminal                                | ⊥                |  |               |                 |               |

Table 22. Example of the Size of Cables Applied to the 1-Axis Servopack

|                   |  | Model<br>CACR-   | Example of the Size of the Wires (mm <sup>2</sup> )  |                 |                   |            |                  |            |
|-------------------|--|------------------|--|-----------------|-------------------|------------|------------------|------------|
|                   |  | Terminal<br>Mark | IR<br>05SC   | IR<br>10SC      | IR<br>15SC        | IR<br>20SC | IR<br>30SC       | IR<br>44SC |
| On-Line Terminal  | Main circuit power supply input terminal | R, S, T          | More than HIV 1.25   | More than HIV 2 | More than HIV3.5  |            | More than HIV5.5 |            |
|                   | Motor connection terminal                | U, V W           |  |                 | More than HIV1.25 |            |                  |            |
|                   | Control power supply input terminal      | r, t             | More than HIV1.25  |                 |                   |            |                  |            |
| Off-Line Terminal | I/O signal connector for control         | CN11             | Twisted pair cable or twisted pair all sealed core wire over 0.2mm <sup>2</sup> , tin plated annealed copper twisted cable.<br>Finished cable outside diameter :<br>CN11 → less than φ16<br>CN12 → less than φ11 |                 |                   |            |                  |            |
|                   | PG signal connector                      | CN12             |  |                 |                   |            |                  |            |
|                   | Ground terminal                          | ≡                | More than HIV2.0   |                 |                   |            |                  |            |

Table 23. Example of the Size of the Cable Applied to the 2-Axis Servopack (mm<sup>2</sup>)

|                   |  | Model<br>CACR-   | Example of the Size of the Wires<br>(mm <sup>2</sup> )   |                   |                  |                   |                |
|-------------------|--|------------------|--|-------------------|------------------|-------------------|----------------|
|                   |  | Terminal<br>Mark | IR<br>0505C  | IR<br>1010C       | IR<br>1020C      | IR<br>2020C       | IR<br>3030C    |
| On-Line Terminal  | Main circuit power supply input terminal | R, S, T          | More than HIV2   | More than HIV 3.5 | More than HIV5.5 |                   | More than HIV8 |
|                   | Motor connection terminal                | U, V W           | More than HIV 1.25   | More than HIV3.5  |                  | More than HIV 5.5 |                |
|                   | Control power supply input terminal      | r, t             | More than HIV1.25  |                   |                  |                   |                |
| Off-Line Terminal | I/O signal connector for control         | CN11, 21         | Twisted pair cable or twisted pair all sealed core wire over 0.2mm <sup>2</sup> , tin plated annealed copper twisted cable.<br>Finished cable outside diameter :<br>CN11 → less than φ16<br>CN12 → less than φ11 |                   |                  |                   |                |
|                   | PG signal connector                      | CN12, 22         |  |                   |                  |                   |                |
|                   | Ground terminal                          | ≡                | More than HIV2.0   |                   |                  |                   |                |

**Table 24. Example of the Size of the Cables Applied to the 3-Axis Servopack (mm<sup>2</sup>)**

|                          |  | Model<br>CACR-   | Example of the Size of the Wires (mm <sup>2</sup> )  |                  |               |                |
|--------------------------|--|------------------|--|------------------|---------------|----------------|
|                          |  | Terminal<br>Mark | IR<br>050505C  | IR<br>101010C    | IR<br>101020C | IR<br>202020C  |
| <b>On-Line Terminal</b>  | Main circuit power supply input terminal | R, S, T          | More than HIV3.5   | More than HIV5.5 |               | More than HIV8 |
|                          | Motor connection terminal                | U, V W           | More than HIV 1.25   | More than HIV3.5 |               |                |
|                          | Control power supply input terminal      | r, t             | More than HIV1.25  |                  |               |                |
| <b>Off-Line Terminal</b> | I/O signal connector for control         | CN11, 21, 31     | Twisted pair cable or twisted pair all sealed core wire over 0.2mm <sup>2</sup> , tin plated annealed copper twisted cable.<br>Finished cable outside diameter :<br>CN11 → less than φ16<br>CN12 → less than φ11 |                  |               |                |
|                          | PG signal connector                      | CN12, 22, 32     |  |                  |               |                |
|                          | Ground terminal                          | ⊕                | More than HIV2.0   |                  |               |                |

**Table 25. Applied Cables**

| Type of Cable |                              | Conductor Allowable Temperature °C |
|---------------|------------------------------|------------------------------------|
| Notation      | Item                         |                                    |
| PVC           | General vinyl cable          |                                    |
| IV            | 600V vinyl cable             | 60                                 |
| HIV           | Special heat resisting cable | 75                                 |

- Note) 1. Apply a cable of over 600V that withstands pressure.  
2. When you bundle the cables and place the bundle in a duct (hard vinyl metal tube), consider the cables' reduction ratio of the allowable current.  
3. If the ambient temperature (temperature inside the board) is high, apply the heat resisting cable instead of the general type vinyl cable, which quickly deteriorates if placed under high temperatures.

12-2. Safety instructions on wiring

- Read all of the instructions below before you wire.

(1) Signal line, PG feedback line

Use the twisted cables or multi-core twisted pair. (Refer to the draw. no. B9400664 or DE8400093).

Length of the wires:

Command input line: maximum 3m

PG feedback line: maximum 20m

The wire should be arranged in the shortest distance and an excessive length should be cut off.

(2) Ground line

Use a thick cable (as thick as possible). The 3rd type ground (ground resistance value is less than  $100\Omega$ ) is recommended.

The connection to the ground must be a one-point connection.

If an insulated condition occurs between the motor and the machine, ground the motor with some other means.



### (3) Noise prevention

Follow these instructions to prevent noise which causes malfunction.

- Noise filter and servopack should be installed as close as possible.
- Surge absorbent circuit must be attached to the coils such as the relay, contactor, solenoid, etc.
- The power line (power circuit such as the AC line, motor line, etc) and the signal line must be installed over 30cm apart. Do not place them in the same duct or bundle them together.
- Do not share the same outlet with the electric welding machine or the electric discharge machine. If there is any apparatus which generates a high frequency noise nearby, install the noise filter in the power-supply or the input circuit.
- As the servopack has a switching amp, it's signal line may show a noise.

### (4) Jamming (R. F. I. : Radius Frequency Interference)

As our servopack is for industrial use, it has no prevention system for RFI. Therefore, if the servopack is operated close to a private house or RFI becomes a problem, attach the line filter to the input of the power supply.

### (5) How to wire the cable core wire for the signal line

As the core wire is very thin ( $0.2 \sim 0.3\text{mm}^2$ ), be careful not to bend or give tension to the wire.

12-3. 3 power loss

Table 26 shows the power loss of the servopack.

Table 26

| Servopack Mode<br>CACR- | Output Current<br>(Executed Value)<br>A | Main Circuit<br>W | Regenerative Resistance<br>Power Loss<br>W | Control Circuit<br>Power Loss<br>W | Total Power<br>Loss W |
|-------------------------|---|-------------------|--|------------------------------------|-----------------------|
| IR05SC                  | 4.2                                     | 40                | 10   | 60                                 | 110                   |
| IR10SC                  | 7.6                                     | 70                | 20   |                                    | 150                   |
| IR15SC                  | 11.7                                    | 80                |  |                                    | 160                   |
| IR20SC                  | 18.8                                    | 100               | 40   |                                    | 200                   |
| IR30SC                  | 26.0                                    | 160               | 80   |                                    | 300                   |
| IR44SC                  | 33.0                                    | 210               | 100  |                                    | 370                   |
| IR0505C                 | 4.2                                     | 80                | 20   | 120                                | 220                   |
| IR1010C                 | 7.6                                     | 140               | 40   |                                    | 280                   |
| IR1020C                 | 18.8<br>(2nd axis)                      | 170               | 60   |                                    | 350                   |
| IR2020C                 | 18.8                                    | 200               | 80   |                                    | 400                   |
| IR3030C                 | 26.0                                    | 320               | 160  |                                    | 600                   |
| IR050505C               | 4.2                                     | 120               | 30   | 180                                | 330                   |
| IR101010C               | 7.6                                     | 210               | 60   |                                    | 450                   |
| IR101020C               | 18.8<br>(3rd axis)                      | 240               | 80   |                                    | 500                   |
| IR202020C               | 18.8                                    | 300               | 120  |                                    | 600                   |

\* : The power loss of the regenerative resistance occurs when reducing the speed of the motor. The power loss can be ignored except in some cases with frequent "start / stops".

# 13. Diagnosis and Measures

## 13-1. Example of diagnosing a problem

Table 27

| Overcurrent   |  |                   |               |       |          |   |                            |                   |  |                               |                   |   |   |               |                                   |   |             |  |  |                   |
|---|--|-------------------|---------------|-------|----------|---|----------------------------|-------------------|--|-------------------------------|-------------------|---|---|---------------|-----------------------------------|---|-------------|--|--|-------------------|
|   | <p>· QC detection level --- x 1.5 of power Tr maximum output current<br/>         · 2 ~ 3 msec after the phenomenon, alarm starts</p>  |                   |               |       |          |   |                            |                   |  |                               |                   |   |   |               |                                   |   |             |  |  |                   |
| <p>&lt;Algorithm&gt;</p> <p>· Current which flows through the main circuit is more than 1.5 times bigger than the Tr max. current.<br/>         · Power Tr is over 90°C.</p>  |  |                   |               |       |          |   |                            |                   |  |                               |                   |   |   |               |                                   |   |             |  |  |                   |
| <table border="1" style="width:100%; border-collapse: collapse;"> <thead> <tr> <th style="width:33%;">Circumstances</th> <th style="width:33%;">Cause</th> <th style="width:33%;">Measures</th> </tr> </thead> <tbody> <tr> <td>Occurs when control power supply is turned on</td> <td>Problem with control board</td> <td>Servopack changed</td> </tr> <tr> <td>Occurs when the main power supply is turned on</td> <td>Problem with power transistor</td> <td>Servopack changed</td> </tr> <tr> <td>Servo ON Occurs when this signal is turned on</td> <td>Motor short<br/>                     ↳ Tester between motor U, V, W terminal and ground checked (over 10MΩ)</td> <td>Motor changed</td> </tr> <tr> <td>Occurs while the motor is running</td> <td>cable between servopack and motor short<br/>                     ↳ Record checked</td> <td>Check cable</td> </tr> <tr> <td></td> <td>Problem with servopack<br/>                     ↳ Problem with:<br/>                     · JH435 (current detector) photo coupler<br/>                     · Power transistor (IFTM)<br/>                     · Try ?????? (ITRC)<br/>                     · Control board<br/><br/>                     ↳ Gate drive circuit</td> <td>Servopack changed</td> </tr> </tbody> </table> |  |                   | Circumstances | Cause | Measures | Occurs when control power supply is turned on | Problem with control board | Servopack changed | Occurs when the main power supply is turned on | Problem with power transistor | Servopack changed | Servo ON Occurs when this signal is turned on | Motor short<br>↳ Tester between motor U, V, W terminal and ground checked (over 10MΩ) | Motor changed | Occurs while the motor is running | cable between servopack and motor short<br>↳ Record checked | Check cable |  | Problem with servopack<br>↳ Problem with:<br>· JH435 (current detector) photo coupler<br>· Power transistor (IFTM)<br>· Try ?????? (ITRC)<br>· Control board<br><br>↳ Gate drive circuit | Servopack changed |
| Circumstances   | Cause  | Measures          |               |       |          |   |                            |                   |  |                               |                   |   |   |               |                                   |   |             |  |  |                   |
| Occurs when control power supply is turned on   | Problem with control board   | Servopack changed |               |       |          |   |                            |                   |  |                               |                   |   |   |               |                                   |   |             |  |  |                   |
| Occurs when the main power supply is turned on  | Problem with power transistor  | Servopack changed |               |       |          |   |                            |                   |  |                               |                   |   |   |               |                                   |   |             |  |  |                   |
| Servo ON Occurs when this signal is turned on   | Motor short<br>↳ Tester between motor U, V, W terminal and ground checked (over 10MΩ)  | Motor changed     |               |       |          |   |                            |                   |  |                               |                   |   |   |               |                                   |   |             |  |  |                   |
| Occurs while the motor is running   | cable between servopack and motor short<br>↳ Record checked  | Check cable       |               |       |          |   |                            |                   |  |                               |                   |   |   |               |                                   |   |             |  |  |                   |
|   | Problem with servopack<br>↳ Problem with:<br>· JH435 (current detector) photo coupler<br>· Power transistor (IFTM)<br>· Try ?????? (ITRC)<br>· Control board<br><br>↳ Gate drive circuit | Servopack changed |               |       |          |   |                            |                   |  |                               |                   |   |   |               |                                   |   |             |  |  |                   |
| <p>→ Main cause<br/>         --- Rare cause</p>   |  |                   |               |       |          |   |                            |                   |  |                               |                   |   |   |               |                                   |   |             |  |  |                   |

Table 28

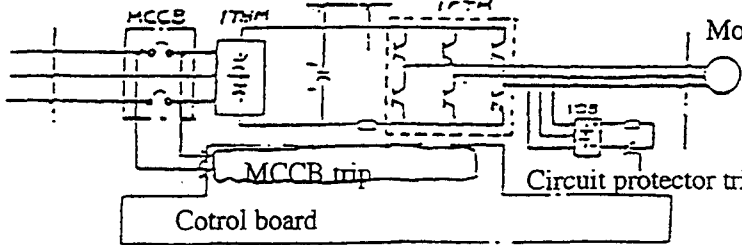
|   |   |   |
|---|---|---|
| <p>Circuit protector trip</p>   |  <p>· After 47ms the phenomenon, the alarm starts.</p>                    |   |
| <p>&lt;Algorithm&gt;<br/>         · Both edge of MCCB I/O open ——— Filter ——— Approx. 47ms</p>  |   |   |
| <p>Circumstances</p>  | <p>Cause</p>  | <p>Measure</p>  |
| <p>Occurs when the control power supply is turned on</p>  | <p>Trouble with control board</p> <p>Circuit protector remains OFF</p>  | <p>Servopack changed</p> <p>Circuit protector turned ON</p> |
| <p>Occurs when the main power supply is turned on</p>   | <p>Trouble with servopack</p> <ul style="list-style-type: none"> <li>└ Combined module trouble (ITHM)</li> <li>└ Power transistor trouble (IPTM)</li> </ul> | <p>Servopack changed</p>                                    |
| <p>Servo ON Occurs when this signal is turned on</p>  | <p>Motor short circuited</p> <ul style="list-style-type: none"> <li>└ Motor U, V, W terminals and ground tester checked</li> </ul>                          | <p>Motor changed</p>  |
| <p>Occurs while motor is running</p>  | <p>Wire between servopack and motor short circuited</p> <ul style="list-style-type: none"> <li>└ Wiring checked</li> </ul>                                  | <p>Check cable</p>  |
| <p></p>   | <p>Trouble with servopack</p> <ul style="list-style-type: none"> <li>· Combined module (ITMM) trouble</li> <li>· Power transistor trouble (IPTM)</li> </ul> | <p>Servopack changed</p>                                    |
| <p>Note) · Circuit protector trip stops when excessive current flows through the line. If the same problem occurs after restarting the circuit, it is possible that the servopack has a problem. In such a case, change the servopack. Also, the magnetic contactor on the input side of the servopack may have a contact point problem. Need to check.</p> |   |   |

Table 29

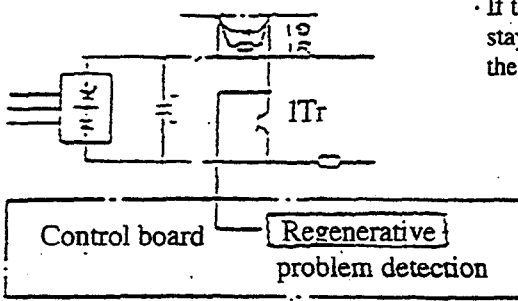
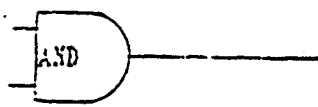
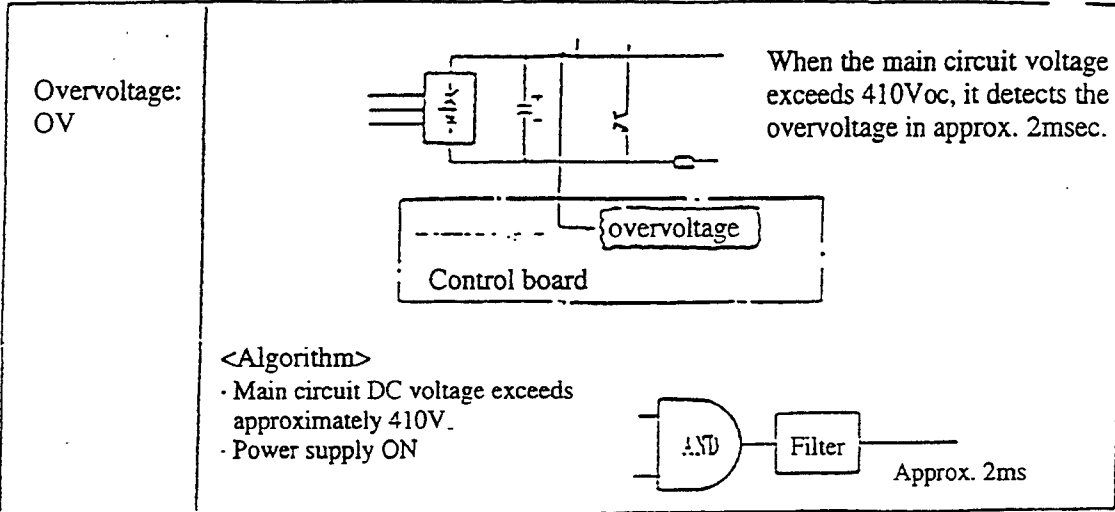
|   |  |   |
|---|--|---|
| <p>Regenerative problem: RG</p>   |  <p>If the regenerative resistor (1Tr) stays on for approximately 0.4sec, the alarm will start.</p>                                  |   |
| <p>&lt;Algorithm&gt;</p> <ul style="list-style-type: none"> <li>Regenerative transistor stays on for approximately 440ms.</li> <li>Power supply ON.</li> </ul>  |  |   |
| <p>Circumstances</p>  | <p>Cause</p>   | <p>Measure</p>  |
| <p>Occurs when the control power supply is turned on</p>  | <p>Problem with control board</p>  | <p>Servopack changed</p>  |
| <p>Occurs when the main power supply is turned on</p>   | <p>Problem with servopack</p> <ul style="list-style-type: none"> <li>Regenerative transistor [1Tr] trouble</li> <li>Regenerative resistor (1R) disconnection</li> </ul>  | <p>Servopack changed</p>  |
| <p>Occurs when the Servo ON signal is turned on</p>   | <p>In case of parts with spec. for external mounting for regenerative resistor</p> <ul style="list-style-type: none"> <li>External resistance connection missing</li> <li>External connection disconnection</li> </ul> | <p>Wiring for ext. regenerative resistance disconnection<br/>Ext. regenerative resistor changed</p> |
| <p>Motor slows down</p>   | <p>Load <math>GD^2</math> is large. Motor rotation is too high</p>   | <p>Operational condition reevaluated</p>  |
| <p>Normal operation</p>   | <p>In case of the use of the -- load (vertical load ratio): exceeds regenerative processing capacity</p>   | <p>Operational condition reevaluated<br/>Regenerative resistor reselected</p>                       |

Table 30



| Circumstances   | Cause  | Measure  |
|---|--|--|
| Occurs when the control power supply is turned on       | Trouble with control board   | Servopack changed                              |
| Occurs when the main power supply is turned on          | Voltage of 3-phase input power supply is too high (approx. 300Vac)   | Input power supply regulated                   |
| Occurs when the Servo ON signal is turned on            |  |  |
| Motor slows down  | Load $GD^2$ and motor rotation number is too large   | Operational condition reevaluated              |
|   | In case of the spec. for the external mounting parts of the regenerative resistance<br>↳ Selected wrong ext. resistance (external resistance value is too large) | External regenerative resistance is reselected |
| Normal operation<br>(vertical load minus (-) load, etc) | Load value exceeds the limit of the regenerative processing capacity of the control apparatus  | Operational condition reevaluated              |
|   | Motor rotation number is too large   | Motor rotation number reduced                  |
|   | Trouble with servopack<br>↳ Condition to the regenerative circuit  | Servopack changed                              |

Table 31

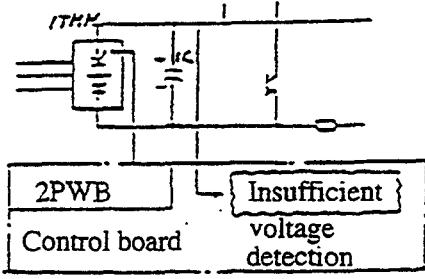
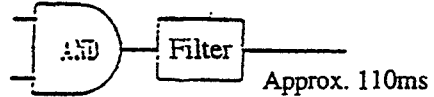
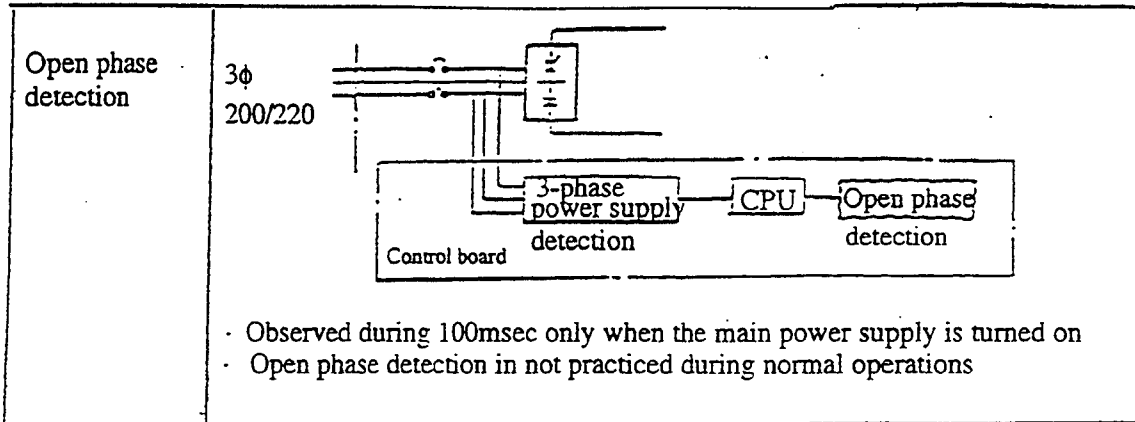
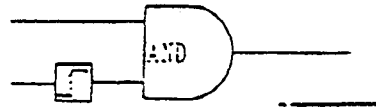
| <p>Insufficient voltage: UV</p>   |  <p>After the 3-phase power supply is turned on and when the main circuit voltage becomes lower than 143Voc, the alarm is detected and starts after approximately 110msec.</p> |                         |         |   |                            |                   |  |   |                   |                                   |  |                         |  |                   |  |  |
|---|--|-------------------------|---------|---|----------------------------|-------------------|--|---|-------------------|-----------------------------------|--|-------------------------|--|-------------------|--|--|
| <p>&lt;Algorithm&gt;</p> <ul style="list-style-type: none"> <li>· Main circuit DC voltage is less than approximately 143V</li> <li>· Power supply ON</li> </ul>   |    |                         |         |   |                            |                   |  |   |                   |                                   |  |                         |  |                   |  |  |
| <table border="1"> <thead> <tr> <th>Circumstances</th> <th>Cause</th> <th>Measure</th> </tr> </thead> <tbody> <tr> <td>Occurs when the control power supply is turned on</td> <td>Trouble with control board</td> <td>Servopack changed</td> </tr> <tr> <td>Occurs when the main power supply is turned on</td> <td>Trouble with servopack<br/> <ul style="list-style-type: none"> <li>· Combined module (1THM) trouble</li> <li>· Control board (2PWB) trouble</li> <li>· Thyristor trigger circuit, etc.</li> </ul> </td> <td>Servopack changed</td> </tr> <tr> <td rowspan="2">Occurs while the motor is running</td> <td>3-phase input power supply opened<br/> <ul style="list-style-type: none"> <li>· Tester for the 3-phase input power supply checked</li> </ul> </td> <td>3-phase input corrected</td> </tr> <tr> <td>Trouble with servopack<br/> <ul style="list-style-type: none"> <li>· Combined module (1THM) trouble</li> <li>· Condensor (1C) trouble</li> </ul> </td> <td>Servopack changed</td> </tr> </tbody> </table> | Circumstances  | Cause                   | Measure | Occurs when the control power supply is turned on | Trouble with control board | Servopack changed | Occurs when the main power supply is turned on | Trouble with servopack<br><ul style="list-style-type: none"> <li>· Combined module (1THM) trouble</li> <li>· Control board (2PWB) trouble</li> <li>· Thyristor trigger circuit, etc.</li> </ul> | Servopack changed | Occurs while the motor is running | 3-phase input power supply opened<br><ul style="list-style-type: none"> <li>· Tester for the 3-phase input power supply checked</li> </ul> | 3-phase input corrected | Trouble with servopack<br><ul style="list-style-type: none"> <li>· Combined module (1THM) trouble</li> <li>· Condensor (1C) trouble</li> </ul> | Servopack changed |  |  |
| Circumstances   | Cause  | Measure                 |         |   |                            |                   |  |   |                   |                                   |  |                         |  |                   |  |  |
| Occurs when the control power supply is turned on   | Trouble with control board   | Servopack changed       |         |   |                            |                   |  |   |                   |                                   |  |                         |  |                   |  |  |
| Occurs when the main power supply is turned on  | Trouble with servopack<br><ul style="list-style-type: none"> <li>· Combined module (1THM) trouble</li> <li>· Control board (2PWB) trouble</li> <li>· Thyristor trigger circuit, etc.</li> </ul>  | Servopack changed       |         |   |                            |                   |  |   |                   |                                   |  |                         |  |                   |  |  |
| Occurs while the motor is running   | 3-phase input power supply opened<br><ul style="list-style-type: none"> <li>· Tester for the 3-phase input power supply checked</li> </ul>   | 3-phase input corrected |         |   |                            |                   |  |   |                   |                                   |  |                         |  |                   |  |  |
|   | Trouble with servopack<br><ul style="list-style-type: none"> <li>· Combined module (1THM) trouble</li> <li>· Condensor (1C) trouble</li> </ul>   | Servopack changed       |         |   |                            |                   |  |   |                   |                                   |  |                         |  |                   |  |  |

Table 32



<Algorithm>

- One of the 3-phase power supply is open
- Power supply ON



| Circumstances                                     | Cause   | Measure  |
|---|---|--|
| Occurs when the control power supply is turned on | Trouble with control board  | Servopack changed  |
| Occurs when the main power supply is turned on    | Wiring of 3-phase power supply missing<br>↳ Wiring checked  | Power supply wiring checked                                    |
|   | Unbalanced 3-phase power supply<br>↳ Voltage between R-S, S-T, T-R checked<br>↳ Wiring to R, S, T external terminal changed | Power supply unbalance adjusted (or wiring of R, S, T changed) |
| Occurs while the motor is running                 | Trouble with servopack  | Servopack changed  |



Table 33

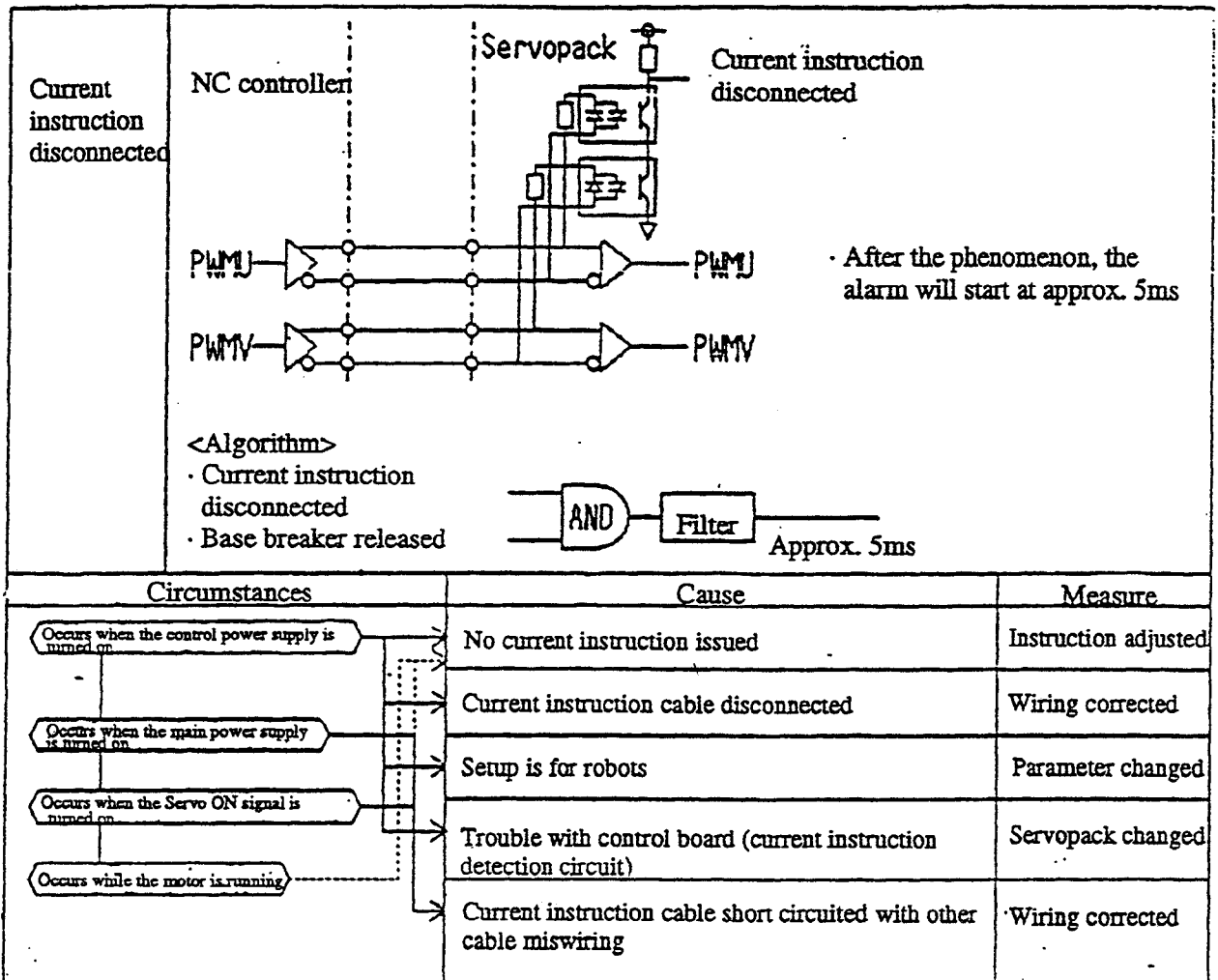
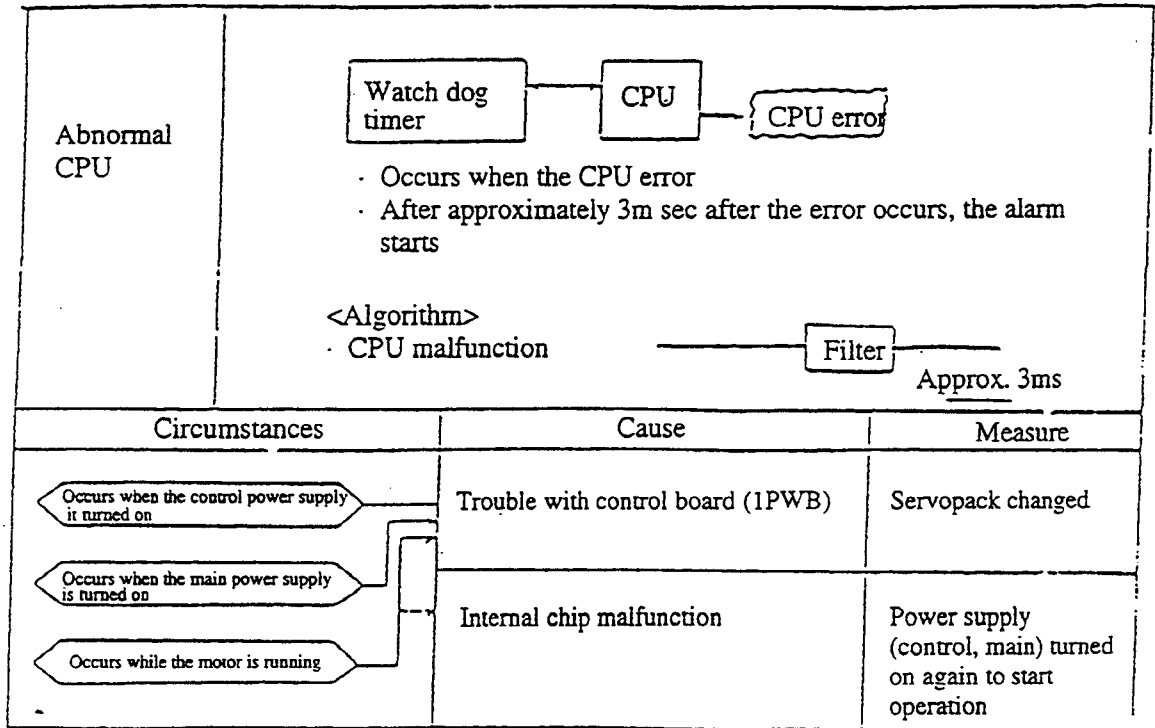


Table 34



13-2. Other problems

Protective functions.

Table 35. CACR-IR Hardware Problems (for 1 ~ 3 Axes)

| Detective Function             | Contents   | Main Cause  | Measures  |
|--------------------------------|--|---|---|
| CPU ROM problem                | The sum check is done to the CPU ROM and when an error occurs, the problem is detected (only when initializing).                           | <ul style="list-style-type: none"> <li>• Part of the ROM is damaged</li> <li>• ROM pin has poor connection</li> <li>• I/O is damaged</li> </ul>   | <ul style="list-style-type: none"> <li>• ROM is changed</li> <li>• ROM is inserted again</li> <li>• I/O is checked</li> </ul>   |
| CPU RAM problem                | The CPU RAM data check is done and when an error occurs, the problem is detected (only when initializing).                                 | <ul style="list-style-type: none"> <li>• CPU is damaged</li> </ul>  | <ul style="list-style-type: none"> <li>• CPU is changed</li> </ul>  |
| Serial communication problem 1 | The I/O port of the serial communication is checked and when an error occurs, the problem is detected (test mode only).                    | <ul style="list-style-type: none"> <li>• Line receiver driver for serial communication is damaged</li> <li>• CPU communication port is damaged</li> <li>• Other devices are connected to the serial communication</li> </ul>          | <ul style="list-style-type: none"> <li>• Line receiver, driver for the serial communication are changed</li> <li>• CPU is changed</li> <li>• The device is removed</li> </ul> |
| Serial communication problem 2 | The data of the serial communication is checked and when the trouble occurs, the problem is detected (test mode only).                     | <ul style="list-style-type: none"> <li>• Line receiver driver for serial communication are damaged</li> <li>• Baud rate generating the iC has a problem</li> <li>• Other devices are connected to the serial communication</li> </ul> | <ul style="list-style-type: none"> <li>• Line receiver, driver for the serial communication are changed.</li> <li>• iC is changed</li> <li>• The device is removed</li> </ul> |
| Gate alley problem             | The I/O of gate alley and the calculation function are checked and when an error occurs, the problem is detected (only when initializing). | <ul style="list-style-type: none"> <li>• Gate alley problem</li> <li>• I/O is damaged</li> </ul>  | <ul style="list-style-type: none"> <li>• Gate alley is changed</li> <li>• I/O is checked</li> </ul>   |

| Detective Function           | Contents   | Main Cause  | Measures  |
|------------------------------|--|---|---|
| EEROM                        | The writing/reading (confirmation) check of the EEROM was done and when an error occurs, the problem is detected (only when writing EEROM).                                | <ul style="list-style-type: none"> <li>• Problem with EEROM</li> <li>• I/O of gate alley and EEROM are damaged</li> </ul>   | <ul style="list-style-type: none"> <li>• EEROM is changed</li> <li>• I/O is checked</li> </ul>  |
| 4-bit micro computer problem | The serial communication of a 4-bit microcomputer is checked and when an error occurs, the problem is detected (except when initializing and activating the power supply). | <ul style="list-style-type: none"> <li>• Problem with a 4-bit microcomputer</li> <li>• Problem with iC for a 4-bit microcomputer communication</li> <li>• Noise to the serial</li> </ul>  | <ul style="list-style-type: none"> <li>• 4-bit microcomputer is changed</li> <li>• iC for a 4-bit microcomputer communication is changed</li> <li>• Adjusted</li> </ul>   |
| Current feedback problem     | The data check of the current feedback is done and when an error occurs, the problem is detected (only when initializing).   | <ul style="list-style-type: none"> <li>• Problem with iC for detecting current</li> <li>• Problem with photo coupler, gate alley</li> </ul>   | <ul style="list-style-type: none"> <li>• iC for detecting current is changed</li> <li>• Photo coupler, gate alley are changed</li> </ul>                                  |
| Current instruction problem  | The data check of the current instruction is done and when an error occurs, the problem is detected (only when releasing the base breaker for the first time).             | <ul style="list-style-type: none"> <li>• Disconnection, miswiring of the current instruction cable connector</li> <li>• Problem with gate alley</li> <li>• Instruction problem</li> </ul> | <ul style="list-style-type: none"> <li>• Current instruction cable connector is adjusted</li> <li>• Gate alley is changed</li> <li>• Instruction iC is changed</li> </ul> |

Note) If an abnormal instruction is detected, the servo alarm will generate (reset does not work), but the abnormal current instruction will cause the current instruction cable disconnection alarm.

IR \_\_ SE Spec.





**YASKAWA**

**Technical Service Division**

# **YASNAC CACR-iR SE Servo Unit Production Specification**

## **Contents**

1. Summary
2. System Composition
3. Serial Numbers
4. Rating and Specification
5. General Connection
6. Details of Connection
7. Function - Motion
8. Dimension Diagram

**YASKAWA ELECTRIC AMERICA, INC.**

|                            |                   |   |
|----------------------------|-------------------|---|
| <b>Original issued on:</b> | 5/24/93           | <b>Note:</b><br><br>This is the 2nd and latest version issued on 6/14/93. |
| <b>Original issued by:</b> | NC Design Section |   |
| <b>Translated on:</b>      | 4/28/96           |   |
| <b>Translated by:</b>      |                   |   |
| <b>Inspected by:</b>       |                   |   |

## 1. Summary

This specification prescribes the function of the AC Servo control system (CACR-iR□□ SE and CACR-IR□□□□□EB) for the NC series. This system is a control system of digital current control type, so the positioning and the speed control are done by the upper side controller. The current command is the PWM input 46.875KHz. The sequence and parameter can be communicated at 9600bps serial.

Figure 1. Block Diagram of AC Servo Control System

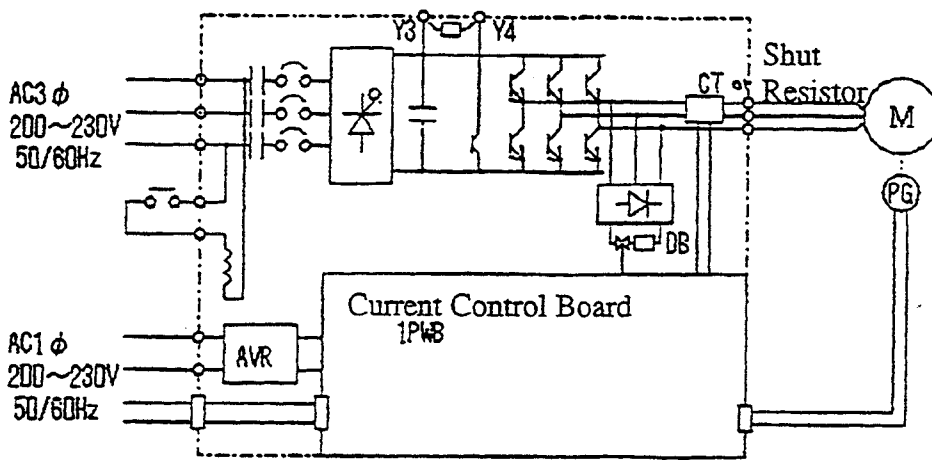
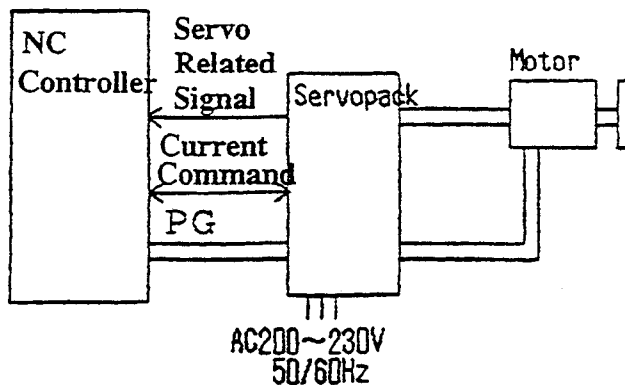


Figure 1. Block Diagram

## 2. System Composition

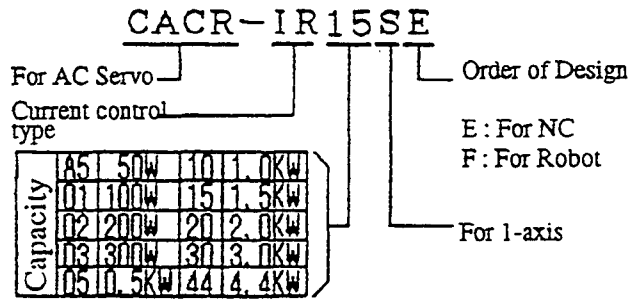




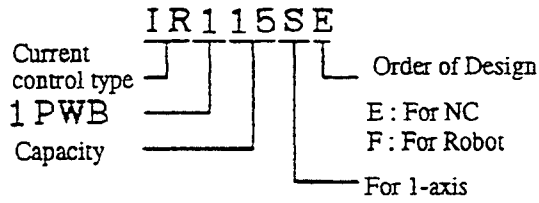
### 3. How to Read Serial Numbers

#### 3.1. For 1-axis

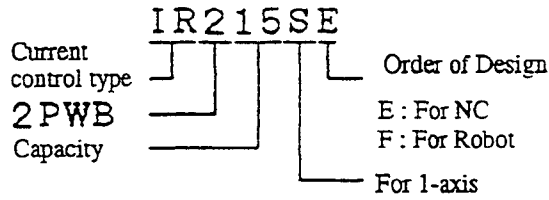
• Main Body



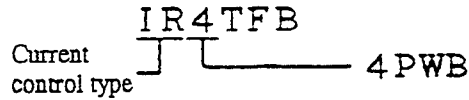
• 1 PWB



• 2 PWB

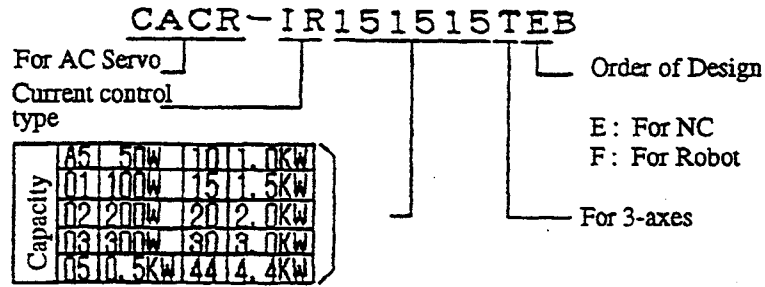


• 4 PWB

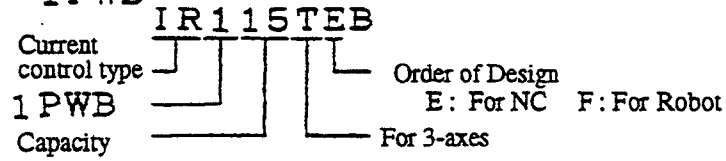


3.2. For 3-axes

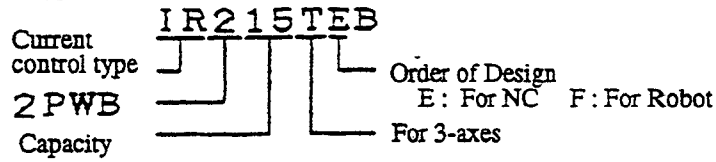
• Main Body



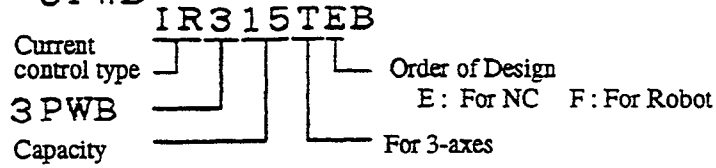
• 1PWB



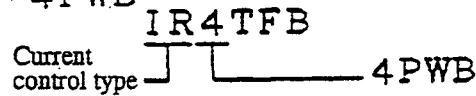
• 2PWB



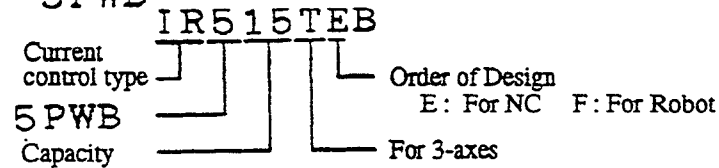
• 3PWB



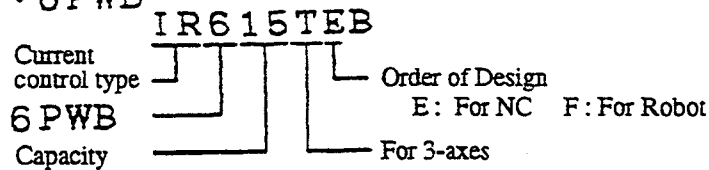
• 4PWB



• 5PWB



• 6PWB



#### 4. Rating and Specification

##### 4.1. For 1-axis

| Corresponding Capacity KW   |                              | 0.05   | 0.1   | 0.2    | 0.3    | 0.5    | 1.0    | 1.5    | 2.0    | 3.0           | 4.4    |
|-----------------------------|------------------------------|--|---|--------|--------|--------|--------|--------|--------|---------------|--------|
| Control System Type CACR-   |                              | IRAS5E   | IR01SE  | IR02SE | IR03SE | IR05SE | IR10SE | IR15SE | IR20SE | IR30SE        | IR44SE |
| Input Power Supply          | Main circuit                 | 3-phase AC 200 ~ 230V + 10 ~ - 15% 50 / 60Hz   |   |        |        |        |        |        |        |               |        |
|                             | Control circuit              | Single phase AC 200 ~ 230V + 10 ~ - 15% 50 / 60Hz  |   |        |        |        |        |        |        |               |        |
| Environmental condition     |                              | Operational Temperature : 0 ~ 60 °C<br>Preserving Temperature : - 20 ~ + 85° C<br>Operational/preserving humidity : Less than 90% (no dew) |   |        |        |        |        |        |        |               |        |
| Structure                   |                              | Rack mount Forced air-cooling system (Over 2.5m / s)   |   |        |        |        |        |        |        |               |        |
| Weight                      |                              | Approximately 6.3Kg  |   |        |        |        |        |        |        | Approx. 7.8Kg |        |
| Servo Output Characteristic | Rated current (Arms)         | 0.7  | 1.0   | 3.0    | 3.0    | 4.2    | 7.6    | 11.7   | 18.8   | 26.0          | 33.0   |
|                             | Instantaneous current (Arms) | 2.1  | 2.8   | 8.5    | 8.5    | 11.0   | 17.0   | 28.0   | 42.0   | 57.5          | 77.0   |
| Control Method              |                              | 3-phase full-wave rectification iGBT PWM method  |   |        |        |        |        |        |        |               |        |
| Control Command             |                              | U phase, V phase PWM current command (46.875KHz) RS422 standard  |   |        |        |        |        |        |        |               |        |
| Feedback                    |                              | Feedback by optical encoder maximum supply current 450mA   |   |        |        |        |        |        |        |               |        |
| I/O Signal                  | Current Command              | Input Condition  | PWM input of 46.875KHz  |        |        |        |        |        |        |               |        |
|                             |                              | Electrical Spec.   | Input impedance approximately 200Ω RS422 standard                                   |        |        |        |        |        |        |               |        |
|                             | Serial Cmu                   | Cmu Method   | Half duplex asynchronous (9600 bps). Refer to the serial protocol spec. (DE9403276) |        |        |        |        |        |        |               |        |
|                             |                              | Electrical Spec.   | Input impedance approximately 200Ω RS422 standard                                   |        |        |        |        |        |        |               |        |
|                             | Sequence Output Signal       |  | / SVRDY   |        |        |        |        |        |        |               |        |

|                   |  |  |
|-------------------|--|--|
| Built-in Function | Protection                               | * Overvoltage * Overcurrent * MCCB trip * Voltage drop * Open phase * Regeneration trouble * Ground fault * Current command disconnection * current feedback problem * CPU problem |
|                   | Display                                  | Alarm display, condition display   |
|                   | DB Function                              | Built-in automatic DB which works when the main power supply is off, servo alarm occurs and the servo is off.  |
|                   | Regenerative Process                     | Built-in   |
|                   | Main power source interruption contactor | Built-in   |
|                   | Applied load inertia                     | Less than $G D m^2 \times 5$   |

4-2. For 3-axes

|                             |                              |   |   |            |            |            |             |            |
|-----------------------------|------------------------------|---|---|------------|------------|------------|-------------|------------|
| Corresponding Capacity KW   |                              | 0.05  | 0.1   | 0.2        | 0.3        | 0.5        | 1.0         | 1.5        |
| Control System Type CACR-   |                              | IRASASASTE  | IR01010ITE  | IR020202TE | IR030303TE | IR050505TE | IR101010ITE | IR151515TE |
| Input Power Supply          | Main circuit                 | 3-phase AC 200 ~ 230V + 10 ~ - 15% 50 / 60Hz  |   |            |            |            |             |            |
|                             | Control circuit              | Single phase AC 200 ~ 230V + 10 ~ - 15% 50 / 60Hz   |   |            |            |            |             |            |
| Environmental condition     |                              | Operational Temperature : 0 ~ 60 ° C<br>Preserving Temperature : - 20 ~ + 85° C<br>Operational/preserving humidity : Less than 90% (no dew) |   |            |            |            |             |            |
| Structure                   |                              | Rack mount Forced air-cooling system (Over 2.5m / s)  |   |            |            |            |             |            |
| Weight                      |                              | Approximately 8Kg   |   |            |            |            |             |            |
| Servo Output Characteristic | Rated current (Arms)         | 0.7   | 1.0   | 3.0        | 3.0        | 4.2        | 7.6         | 11.7       |
|                             | Instantaneous current (Arms) | 2.1   | 2.8   | 8.5        | 8.5        | 11.0       | 17.0        | 28.0       |
| Control Method              |                              | 3-phase full-wave rectification iGBT PWM method   |   |            |            |            |             |            |
| Control Command             |                              | U phase, V phase PWM current command (46.875KHz) RS422 standard   |   |            |            |            |             |            |
| Feedback                    |                              | Feedback by optical encoder maximum supply current 450mA  |   |            |            |            |             |            |
| I / O Signal                | Current Command              | Input Condition   | PWM input of 46.875KHz  |            |            |            |             |            |
|                             |                              | Electrical Spec.  | Input impedance approximately 200Ω RS422 standard                                   |            |            |            |             |            |
|                             | Serial Cmu                   | Cmu Method  | Half duplex asynchronous (9600 bps). Refer to the serial protocol spec. (DE9403276) |            |            |            |             |            |
|                             |                              | Electrical Spec.  | Input impedance approximately 200Ω RS422 standard                                   |            |            |            |             |            |
|                             | Sequence Output Signal       |   | / SVRDY   |            |            |            |             |            |

|                     |  |  |
|---------------------|--|--|
| Built - in Function | Protection                               | * Overvoltage * Overcurrent * MCCB trip * Voltage drop * Open phase * Regeneration trouble * Ground fault * Current command disconnection * current feedback problem * CPU problem |
|                     | Display                                  | Alarm display, condition display   |
|                     | DB Function                              | Built-in automatic DB which works when the main power supply is off, servo alarm occurs and the servo is off.  |
|                     | Regenerative Process                     | Built-in   |
|                     | Main power source interruption contactor | Built-in   |
|                     | Applied load inertia                     | Less than $G D m^2 \times 5$   |

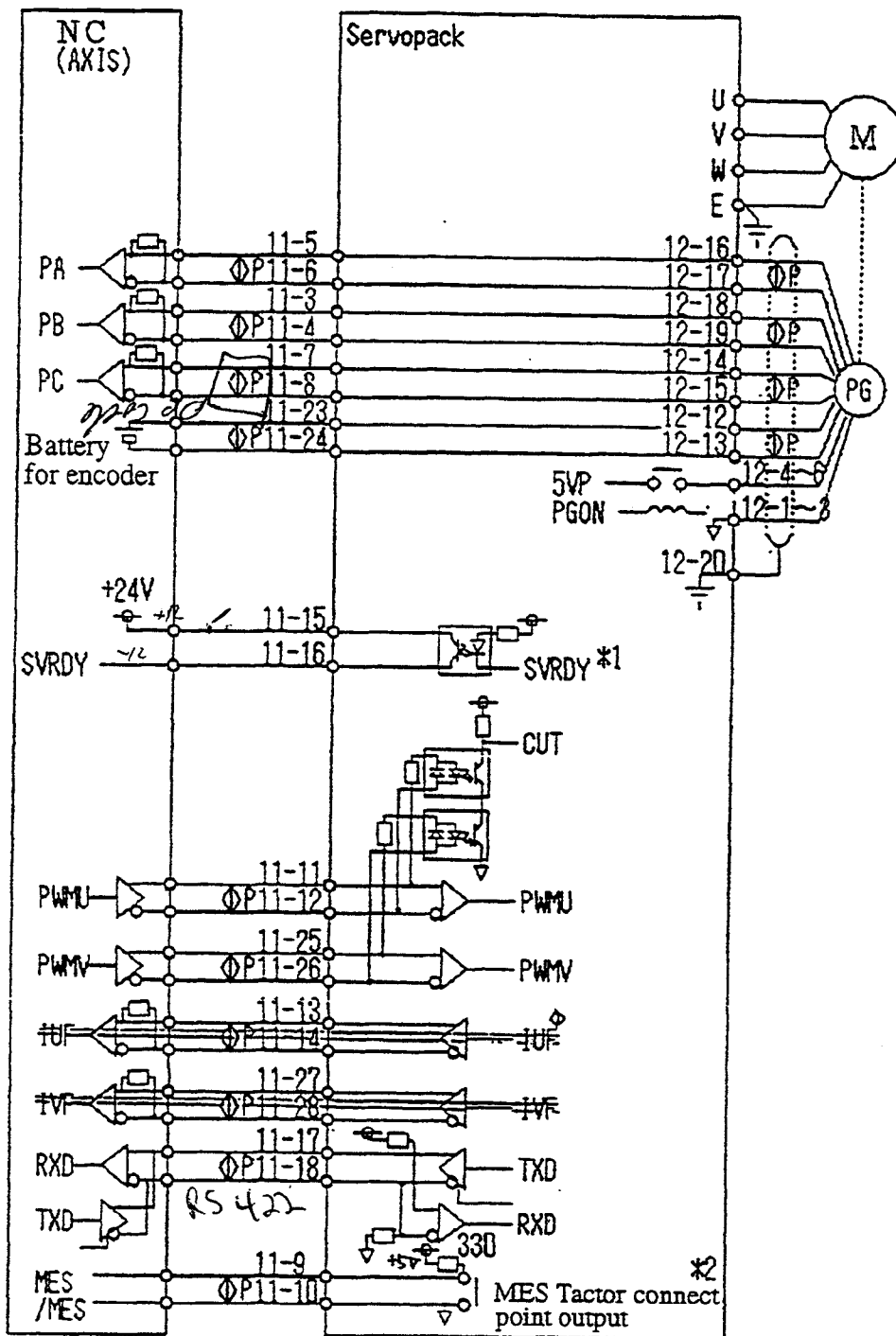
## 5. Standard Combination

**Table 3. Combination of Servopack and Servomotor, Peripheral Devices**

| Servopack Type  | Applied Servomotor              | Power Supply Capacity / Set | Current Capacity / 1 set of NCCB |
|-----------------|---------------------------------|-----------------------------|----------------------------------|
| CACR-IRA5SE     | Corresponding to R series 50W   | 0.1                         | 5                                |
| CACR-IR01SE     | Corresponding to R series 100W  | 0.2                         | 5                                |
| CACR-IR02SE     | Corresponding to R series 200W  | 0.45                        | 5                                |
| CACR-IR03SE     | Corresponding to R series 300W  | 0.65                        | 5                                |
| CACR-IR05SE     | Corresponding to R series 500W  | 1.1                         | 5                                |
| CACR-IR10SE     | Corresponding to F series 1.0KW | 2.1                         | 8                                |
| CACR-IR15SE     | Corresponding to F series 1.5KW | 3.1                         | 10                               |
| CACR-IR20SE     | Corresponding to F series 2.0KW | 4.1                         | 12                               |
| CACR-IR30SE     | Corresponding to F series 3.0KW | 6.0                         | 18                               |
| CACR-IR44SE     | Corresponding to F series 4.4KW | 8.0                         | 24                               |
| CACR-IRA5A5A5TE | Corresponding to R series 50W   | 0.3                         | 5                                |
| CACR-IR010101TE | Corresponding to R series 100W  | 0.65                        | 5                                |
| CACR-IR020202TE | Corresponding to R series 200W  | 1.3                         | 8                                |
| CACR-IR030303TE | Corresponding to R series 300W  | 2.0                         | 8                                |
| CACR-IR050505TE | Corresponding to R series 500W  | 3.1                         | 10                               |
| CACR-IR101010TE | Corresponding to F series 1.0KW | 6.0                         | 18                               |
| CACR-IR151515TE | Corresponding to F series 1.5KW | 8.0                         | 24                               |

\* Depends on the type of motor.

## 6. General Connection Diagram



\* 1: Each capacity of the output circuit is 30VDC, 30mA or less.

\* 2: The tactor connect output is only the signal level output.

\* 3:  $\updownarrow$  P Twisted pair wires



## 6. Details of Connection

### 6-1. Connector terminal CN11, 21, 31 for I/O signal

CN11, 21, 31 of the servopack is connected with the connector of the NC AXIS.

#### (1) Specifications of the Connector

PCR connector by HONDA TSUSHIN KOGYO (28 pin)

Servopack PWB mounted side PCR - E28LMD (right angle type)

Cable side PCR - E28F (connector)

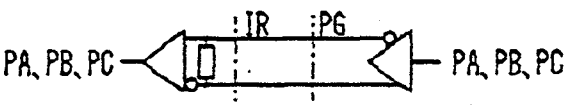
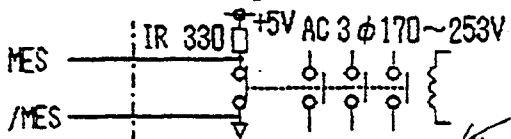

PCS - E28LA (connector case)

#### (2) Connector Pin Arrangement

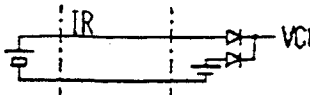

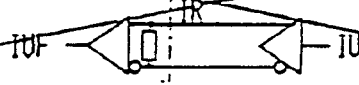
Table 4.

|                       |                      |                      |                      |                                   |                               |                      |
|-----------------------|----------------------|----------------------|----------------------|-----------------------------------|-------------------------------|----------------------|
| 1                     | 3                    | 5                    | 7                    | 9                                 | 11                            | 13                   |
|                       | PB                   | PA                   | PC                   | MES                               | IU                            | <del>IUF</del>       |
|                       | PG signal<br>B phase | PG signal<br>A phase | PG signal<br>C phase | tactor<br>connect point<br>Output | Current<br>Command<br>U phase | <del>電流フィードバック</del> |
| 2                     | 4                    | 6                    | 8                    | 10                                | 12                            | 14                   |
|                       | *PB                  | *PA                  | *PC                  | /MES                              | *IU                           | <del>*IUF</del>      |
|                       | PG signal<br>B phase | PG signal<br>A phase | PG signal<br>C phase | OV of tactor<br>connect point     | Current<br>Command<br>U phase | <del>電流フィードバック</del> |
| 15                    | 17                   | 19                   | 21                   | 23                                | 25                            | 27                   |
| SVRDY                 | DATA                 | S                    | G                    | BAT                               | IV                            | <del>IVF</del>       |
| +24V                  | Serial<br>Cmu I/O    | Signal OV            |                      | Encoder<br>Battery<br>Input       | Current<br>Command<br>V phase | <del>電流フィードバック</del> |
| 16                    | 18                   | 20                   | 22                   | 24                                | 26                            | 28                   |
| /SVRDY                | *DATA                | S                    | G                    | OBAT                              | *IV                           | <del>*IVF</del>      |
| Servo ready<br>output | Serial<br>Cmu I/O    | Signal OV            |                      | Battery<br>OV                     | Current<br>Command<br>V phase | <del>電流フィードバック</del> |

(3) Specifications of the Signals

| Pin No. | Signal | Specification   |
|---------|--------|---|
| 3       | PB     | Output signal from PG to AXIS side.<br> |
| 4       | *PB    |   |
| 5       | PA     |   |
| 6       | *PA    |   |
| 7       | PC     |   |
| 8       | *PC    |   |
| 9       | MES    | Output aux. connect point of tactor in Servopack.<br>Tactor ON, Aux. connect point OFF.                                   |
| 10      | /MES   |   |
| 11      | IU     | PWM current command U phase of 875KHz input.<br>Refer to the manual MB651142 (DE8409818) for the PWM output method.       |
| 12      | *IU    |   |
| 13      | IUF    | 46. 875KHzのPWM電流フィードバックU相出力<br>PWM出力方法は、MB651142説明書(DE8409818) 参照。  |
| 14      | *IUF   |                                        |
| 15      | SVRDY  | Turned on while the normal operation is on (no alarm).  |
| 16      | /SVRDY |   |
| 17      | DATA   | I/O of serial transmission.<br>Refer to the serial protocol spec. (DE9403276) for the transmitting method.                |
| 18      | *DATA  |   |

46. 875 KHz

| Pin No.       | Signal | Specification  |
|---------------|--------|--|
| 19<br>↙<br>22 | SG     | Signal OV.   |
| 23            | BAT    | Battery input for encoder.<br>  |
| 24            | OBAT   |  |
| 25            | IV     | PWM current command V phase input of 46.875KHz.<br>Refer to the manual MB651142 (DE8409818) for the<br>PWM output method.<br> |
| 26            | *IV    |  |
| 27            | IVF    | 46.875KHzのPWM電流フィードバックV相出力<br>PWM出力方法は、MB651142説明書(DE8409818)参照。<br>  |
| 28            | *IVF   |  |

- 6.2. Connector terminal CN12, 22, 32 for PG signal  
 CN12, 22, 32 of servopack are connected to encoder, etc.

(1) Specifications of the Connector

MR connector by HONDA TSUSHIN KOGYO (20 pin)  
 Servopack PWB mounted side MR - 20RMA (right angle type)  
 Cable side MR - 20F (connector)  
 MR - 20L (connector case)

(2) Connector Pin Arrangement

Table 7.

|                       |     |                      |                       |                      |               |                 |
|-----------------------|-----|----------------------|-----------------------|----------------------|---------------|-----------------|
| 1                     | 2   | 3                    | 4                     | 5                    | 6             | 7               |
| 0V                    | 0V  | 0V                   | +5V                   | +5V                  | +5V           |                 |
| 0V of PG Power Supply |     |                      | 5V of PG Power Supply |                      |               |                 |
|                       | 8   | 9                    | 10                    | 11                   | 12            | 13              |
|                       |     |                      |                       |                      | BAT           | 0BAT            |
|                       |     |                      |                       |                      | Battery Input |                 |
| 14                    | 15  | 16                   | 17                    | 18                   | 19            | 20              |
| PC                    | *PC | PA                   | *PA                   | PB                   | *PB           | FG              |
| PG Signal<br>C Phase  |     | PG Signal<br>A Phase |                       | PG Signal<br>B Phase |               | Frame<br>Ground |

6-3. Connector for Control Power Supply CN2 (For 3-axes only)

(1) Specifications for the Connector

D3100 series connector by AMP (3-pin)  
 Servopack PWB mounted side 1 - 178293 - 5 (right angle)  
 Cable side 1 - 178288 - 7 (connector)

(2) Connector Pin Arrangement

**Table 8.**

|                                       |   |                                       |
|---------------------------------------|---|---------------------------------------|
| 1                                     | 2 | 3                                     |
| r                                     |   | t                                     |
| Control Power Supply<br>Input r Phase |   | Control Power Supply<br>Input t Phase |

(3) Specifications

Single phase AC200 ~ 230V - 15 ~ + 10% 50 / 60Hz

6-4. Connector CN13, CN23, CN33 (less than 10 for 3-axes)

(1) Specifications of the Connector

D3100 series connector by AMP (4-pin)  
 Servopack PWB mounted side 1 - 178297 - 5 (right angle)  
 Cable side 1 - 178288 - 3 (connector)

(2) Connector Pin Arrangement

**Table 9.**

|         |         |         |              |
|---------|---------|---------|--------------|
| 1       | 2       | 3       | 4            |
| U       | V       | W       | FG           |
| U phase | V phase | W phase | Frame Ground |

(3) Specifications

Connect U and motor A terminal, V and motor B terminal, W and motor C terminal.

6-5. Connector CN3 for the main circuit power supply ON/OFF connect point (for 3-axes only)

(1) Specifications of the Connector

D3100 series connector by AMP (3-pin)

Servopack PWB mounted side 1 - 178138 - 2 (right angle)

Cable side 1 - 178128 - 3 (connector)

(2) Connector Pin Arrangement

Table 10.

| 1   | 2      | 3 |
|---|--------|---|
| MPON  | / MPON |   |
| Main circuit power supply<br>ON / OFF connect point |        |   |

(3) Specifications

The connect point is to cut the power supply to the main circuit by turning the built-in contactor ON/OFF.

The contact point capacity is AC200 ~ 230V 12mA.

6-6. External terminal and connector

(1) For 1-axis

Table 11.

| Terminal Symbol | Name  | Summary  |
|-----------------|---|--|
| R S T           | Main circuit power supply input terminal                | 3-phase AC200 ~ 230V -15 ~ +10% 50 / 60Hz  |
| U V W           | Motor connection terminal                               | Connect U and motor A terminal, V and motor B terminal, W and motor C terminal   |
| r t             | Control power supply input terminal                     | Single phase AC200 ~ 230V -15 ~ +10% 50 / 60Hz   |
| ⊕               | Ground terminal   | Connect with motor D terminal and drop it to the earth   |
| Y3 Y4 Y5        | Regenerative resistor connecting terminal               | Regenerative resistor connecting terminal at Y3, Y5 (Usually external connection is not necessary). Short Y4 and Y5.   |
| MPON / MPON     | Main circuit power supply ON/OFF connect point terminal | Turn the built-in contactor ON/OFF to stop the main circuit power supply. Contact point capacity is AC200 ~ 230V 12mA. |

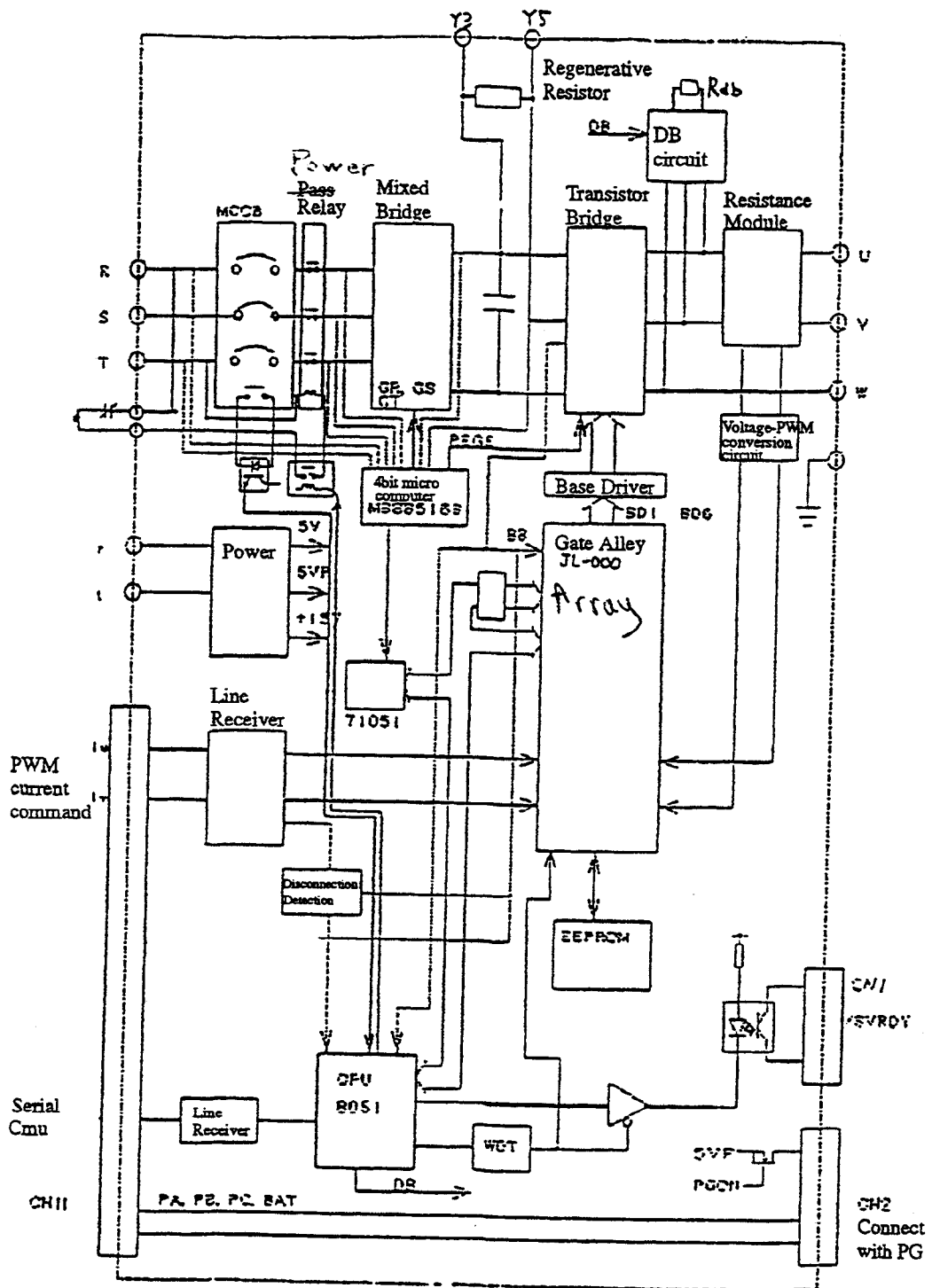
(2) For 3-axis

Table 12.

| Terminal Symbol | Name                                     | Summary   |
|-----------------|--|---|
| R S T           | Main circuit power supply input terminal | 3-phase AC200 ~ 230V -15 ~ +10% 50 / 60Hz   |
| U V W           | Motor connecting terminal                | Connect U and motor A terminal V and motor B terminal, W and motor C terminal (1.5KW only). |
| ⊕               | Ground terminal                          | Connect with motor D terminal and drop to the earth (1.5KW only).                           |

# 7. Function / Motion

Function block diagram.





7-1. Details of the Function

(1) I / O Signals

- Current command input (PWMU, PWMV)  
Input the current command U phase, V phase of the servopack by PWM of 46.875KHz. With the current amp, the data conversion is done at 11.719KHz of which an average from the two conversions becomes the current command. For the current command, the weight is added by the current amp. gain from the serial transmission, so when you determine the current command, consider this point.

The current command becomes:

$$\pm 4096 \times 256 \text{ at } \times 4 \text{ resolution PWM saturation}$$

The current feedback becomes:

$$\pm 4096 \times \text{IMUL at } \times 4 \text{ resolution PWM saturation}$$

(IMUL: Current amp. gain coefficient).

Refer to the serial protocol specification (DE9403276), IR setup manual (DE9400629) for the method of determining the current amp. gain and the current command.

- Servo ready (/SVRDY)  
Approximately 400ms after the control power supply is turned on, the servo ready becomes ON when no alarm is on. The output is turned off by the servo alarm.

Table 13. Current Detection Resistance Value

| Model CACR-                       | IRA5SE | IR01SE | IR02SE | IR03SE | IR05SE | IR10SE | IR15SE | IR20SE | IR30SE | IR44SE |
|-----------------------------------|--------|--------|--------|--------|--------|--------|--------|--------|--------|--------|
| Current detection resistance (mΩ) | 100    | 100    | 50     | 20     | 20     | 10     | 10     | 5      | 3      | 3      |

Table 14. Current Detection Resistance Value

| Model CACR-IR                     | A5A5A5TE | 010101TE | 020202TE | 030303TE | 050505TE | 101010TE | 151515TE |
|-----------------------------------|----------|----------|----------|----------|----------|----------|----------|
| Current detection resistance (mΩ) | 100      | 100      | 50       | 20       | 20       | 10       | 10       |

## (2) Protecting Function

The servopack has a built-in function which protects the servopack and the motor from problems.

- Dynamic brake

The servopack has a built-in dynamic brake for an emergency stop which works in the following cases.

- (i) Servo alarm (Problem detected)
- (ii) Current command disconnection
- (iii) Servo off
- (iv) Main power supply off

To stop the motor, work the dynamic brake. When the main circuit function is available, the dynamic brake off can be manipulated by the serial transmission.

- Problem detection

When the problem is detected, / SVRDY turns off and the contents of the detection are displayed by the LED which can be read in the serial transmission (contents of the servo alarm).

- (i) Problem detection for 1-axis

**Table 15. Problem Detection for 1-Axis**

| Display | Problem                       | Contents                                       | SVRDY OFF |
|---------|-------------------------------|--|-----------|
| 1       | Overcurrent OC                | Overcurrent flows in the main circuit          | ○         |
| 2       | MCCB trip                     | MCCB tripped                                   | ○         |
| 3       | Regeneration problem          | Regenerative circuit in iAMP did not function  | ○         |
| 4       | Overvoltage                   | Main circuit DC voltage became abnormally high | ○         |
| 6       | Insufficient voltage          | Main circuit DC voltage became abnormally low  | ○         |
| 8       | Ground fault                  | Main circuit ground fault                      | ○         |
| b       | Current offset problem        | Offset problem or no offset                    | ○         |
| E       | Current command disconnection | Current command cable is disconnected          | ○         |
| F       | Open phase                    | 1 phase out of 3 phases is open                | ○         |
|         | CPU problem                   | CPU problem                                    | ○         |

- \* ○ : LED goes off when the problem is detected and / SVRDY goes off.
- × : LED does not go off even if the problem is detected.

(ii) Hardware problem for 1-axis

Table 16. Hardware Problem Detection for 1-Axis

| Display     | Problem                             | Contents                                      | SVRDY<br>OFF |
|-------------|-------------------------------------|---|--------------|
| <b>H. 1</b> | CPU ROM problem                     | ROM problem out of CPU hardware               | ○            |
| <b>H. 2</b> | CPU RAM problem                     | RAM problem out of CPU hardware               | ○            |
| <b>H. 3</b> | Serial communication<br>problem 1   | Serial communication problem (test mode only) | ○            |
| <b>H. 4</b> | " 2                                 |   | ○            |
| <b>H. 5</b> | Gate alley problem                  | Abnormal gate alley                           | ○            |
| <b>H. 8</b> | EEROM error                         | Abnormal EEROM                                | ○            |
| <b>H. 9</b> | 4-bit micro computer<br>problem     | Abnormal 4-bit micro computer                 | ○            |
| <b>H. A</b> | Current feedback<br>problem U phase | Current feedback problem U phase              | ○            |
| <b>H. b</b> | Current feedback<br>problem V phase | Current feedback problem V phase              | ○            |

\* **H. 3** : LED displays **H** , **3** and **3** every second.

(iii) Problem detection for 3-axes

Table 17. Problem Detection for 3-Axes

| Display                             | Problem                       | Contents  | SVRDY OFF |
|-------------------------------------|-------------------------------|---|-----------|
| Axis No. <input type="checkbox"/> 1 | Overcurrent                   | Overcurrent flows in the main circuit             | ○         |
| <input type="checkbox"/> 2          | MCCB trip                     | MCCB tripped                                      | ○         |
| <input type="checkbox"/> 3          | Regenerative problem          | Regenerative process circuit in iAMP did not work | ○         |
| <input type="checkbox"/> 4          | Overvoltage                   | Main circuit DC voltage became abnormally high    | ○         |
| <input type="checkbox"/> 5          | Insufficient voltage          | Main circuit DC voltage became abnormally low     | ○         |
| Axis No. <input type="checkbox"/> 6 | Ground fault                  | Ground fault in main circuit                      | ○         |
| Axis No. <input type="checkbox"/> b | Current offset prob.          | Abnormal current offset or no offset              | ○         |
| Axis No. <input type="checkbox"/> E | Current command disconnection | Current command cable is disconnected             | ○         |
| <input type="checkbox"/> F          | Open phase                    | 1 phase out of 3 phases is open                   | ○         |
| <input type="checkbox"/>            | CPU problem                   | Abnormal CPU                                      | ○         |

\* Axis No.  E LED displays " Axis No. " and " " every second.

\* ○ : LED goes off if the problem is detected and / SVRDY goes off.

× : LED does not go off even if the problem is detected.

(iv) Hardware problem of 3-axes

Table 18. Hardware Problem Detection for 3-Axes

| Display | Problem                               | Contents                                       | SVRDY<br>OFF |
|---------|---------------------------------------|--|--------------|
| H.1     | Abnormal CPU ROM                      | ROM problem out of CPU hardware                | ○            |
| H.2     | Abnormal CPU RAM                      | RAM problem out of CPU hardware                | ○            |
| H.3     | Serial communication<br>problem 1     | Abnormal serial communication (test mode only) | ○            |
| H.4     | " 2                                   |  | ○            |
| H.5     | Abnormal gate alley 1                 | 1st axis gate alley has problem                | ○            |
| H.6     | Abnormal gate alley 2                 | 2nd axis gate alley has problem                | ○            |
| H.7     | Abnormal gate alley 3                 | 3rd axis gate alley has problem                | ○            |
| H.8     | EEROM error                           | Abnormal EEROM                                 | ○            |
| H.9     | Abnormal 4-bit micro<br>computer      | Problem with 4-bit micro computer              | ○            |
| H.a     | Current feedback<br>problem 1 U phase | Current feedback problem 1st axis U phase      | ○            |
| H.b     | Current feedback<br>problem 1 V phase | Current feedback problem 1st axis V phase      | ○            |
| H.c     | Current feedback<br>problem 2 U phase | Current feedback problem 2nd axis U phase      | ○            |
| H.d     | Current feedback<br>problem 2 V phase | Current feedback problem 2nd axis V phase      | ○            |
| H.e     | Current feedback<br>problem 3 U phase | Current feedback problem 3rd axis U phase      | ○            |
| H.f     | Current feedback<br>problem 3 V phase | Current feedback problem 3rd axis V phase      | ○            |

\* H.9 : LED displays " H " , " " and " 9 " every second

(3) Servo Alarm Reset

Reset when the servo alarm is on can be done by the serial transmission. However, resuming the operation must be done after the proper troubleshooting and steps are performed because the "Alarm" mean that trouble occurred for some reason.






(4) Display

Condition is displayed by the following LED.

Table 19. LED

| Tool Symbol | Model         | Function  |
|-------------|---------------|---|
| LD3         | +5V           | Lights up when +5V of the control power supply has a problem.   |
| LD2         | SVRDY1        | Lights up when the 1st servo alarm does not work.   |
| LD1         | SVRDY2        | Lights up when the 2nd servo alarm does not work.   |
| LD4         | SVRDY3        | Lights up when the 3rd servo alarm does not work.   |
| LD5         | 7 segment LED | Displays the servo condition and alarm. Refer to tables 15 ~ 18 for the alarms and table 20 for the conditions. |

Table 20. LED Condition Display

| Display   | Problem                         | Contents  |
|---|---------------------------------|---|
|  | Main power supply off           | Before the main power supply turns on.<br>Base interrupted. |
|  | Main power supply on            | Main power supply starting.<br>Base interrupted.            |
|  | Power ready                     | Main power supply turn on completed.<br>Base interrupted.   |
|  | Main circuit current conduction | Main circuit function.                                      |
|  | EEROM writing                   | EEROM writing. Base interrupted.                            |

## (5) SW Setup

- For 1 axis
- SW1 - 0, 1 : Axis setup, but both should be open for 1-axis. Otherwise, it cannot be used.
- SW1 - 2 : For test (Test mode 1).  
All others are open.  
When short happens, check the serial transmission.  
Regeneration also does not work.
- SW1 - 3 : For test (Test mode 2).  
All others are open.  
When short happens, the main circuit PC input (no 3-phase power source) starts.  
If SW1 - 3 is open, the normal operation cannot be done.
- SW2 : Axis setup is as follows.  
If a scale on the SW2 is over "3", the setup becomes invalid.

| SW2 | Axis Setup |
|-----|------------|
| 0   | 1          |
| 1   | 2          |
| 2   | 3          |
| 3   | Invalid    |

- Setup for shipping

SW1 - 0 ~ 3 : Open, SW2 is "0".

- For 3-axes

SW1 - 0, 1 : Used together with SW2 when axis is set.  
Setup is done as follows:

| SW2 Setup | SW1-0: Short SW1-1: Short |          |          | SW1-0: Open SW1-1: Open |          |          | SW1-0: Short SW1-1: Open |          |          |
|-----------|---------------------------|----------|----------|-------------------------|----------|----------|--------------------------|----------|----------|
|           | 1st axis                  | 2nd axis | 3rd axis | 1st axis                | 2nd axis | 3rd axis | 1st axis                 | 2nd axis | 3rd axis |
| 0         | 1                         | 2        | 3        | none                    | 2        | 3        | 3                        | none     | 1        |
| 1         | 2                         | 1        | 3        | 1                       | none     | 3        | 1                        | 2        | 3        |
| 2         | 2                         | 3        | 1        | 2                       | 1        | none     | 1                        | 2        | 3        |
| 3         | 1                         | 3        | 2        | 1                       | 3        | none     | ⋮                        | ⋮        | ⋮        |
| 4         | 3                         | 1        | 2        | 2                       | 3        | none     | ⋮                        | ⋮        | ⋮        |
| 5         | 3                         | 2        | 1        | 3                       | 1        | none     | ⋮                        | ⋮        | ⋮        |
| 6         | 1                         | none     | none     | 3                       | 2        | none     | ⋮                        | ⋮        | ⋮        |
| 7         | 2                         | none     | none     | none                    | 2        | 1        | ⋮                        | ⋮        | ⋮        |
| 8         | 3                         | none     | none     | none                    | 1        | 2        | ⋮                        | ⋮        | ⋮        |
| 9         | none                      | 1        | none     | none                    | 1        | 2        | ⋮                        | ⋮        | ⋮        |
| A         | none                      | 2        | none     | none                    | 1        | 3        | ⋮                        | ⋮        | ⋮        |
| B         | none                      | 3        | none     | none                    | 3        | 1        | ⋮                        | ⋮        | ⋮        |
| C         | none                      | none     | 1        | 1                       | none     | 2        | ⋮                        | ⋮        | ⋮        |
| D         | none                      | none     | 2        | 2                       | none     | 1        | ⋮                        | ⋮        | ⋮        |
| E         | none                      | none     | 3        | 2                       | none     | 3        | ⋮                        | ⋮        | ⋮        |
| F         | 1                         | 2        | none     | 3                       | none     | 2        | ⋮                        | ⋮        | ⋮        |

\* For example, when SW1-0, 1: Short, SW2 is 1, the 1st axis becomes the 2nd, the 2nd becomes the 1st and the 3rd axis remains as it is.

\* When SW1-0, 1: Open, the setup becomes the IR setup for 1-axis IR.

- SW1 - 2 : For test (Test mode 1).  
All others are open.  
When the short happens, check the serial transmission and the regenerative function becomes invalid.
- SW1 - 3 : For test (Test mode 2).  
All others are open.  
When the short happens, the main circuit DC input (no 3-phase power supply) mode starts.  
If SW1 - 3 is open, the normal operation cannot be operated.

- Setup for shipping

SW1 - 0,1 : Short, SW1 - 2, 3 : Open, SW2 is "0".



#### (6) Serial Transmission

Sequence control, status reading, parameter setup / change / read can be done by serial transmission.

Refer to the serial protocol specification DE9403276 for details of the serial transmission.

#### (7) Contactor Problem Detection

The problem detection for the contactor is not done by the servopack as it has an external contact point. However, the contact point information of the contactor can be observed by the status of the contactor by the output from an auxiliary contact point and the serial transmission.

If the main power supply is turned on by the NC but the contactor doesn't come ON, there must be some problem.





# Applied to YASNAC i80 CACR-iR\*\* SE Servo Connection Manual (Supplemental)

The contents of this manual are supplemental description of changes you have to know when you apply CACR-iR \*\*SE Servo to i80. Therefore, you may as well use this manual together with the connection manual of YASNAC i80.

## Contents

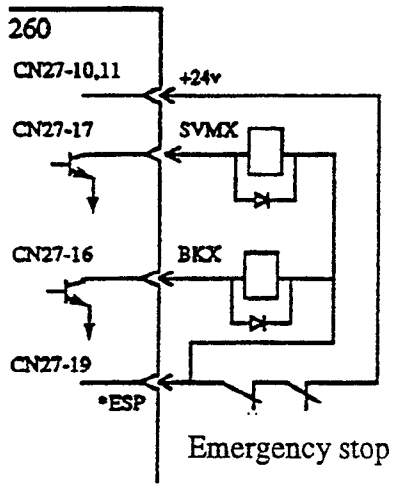
1. Applied sequence
2. Connection Between Devices
  - 1) Cable
  - 2) Detailed connection with feed servo unit
  - 3) Details of 3-axis servo connector section
3. Appendix
  - 1) Rating and specification
  - 2) Power supply capacity
  - 3) Servo unit and calorific value
  - 4) SW setup
  - 5) Dimension diagram

**YASKAWA ELECTRIC AMERICA, INC.**

|                            |                   |  |
|----------------------------|-------------------|--|
| <b>Original issued on:</b> | 11/12/93          | <b>Note:</b><br><br>This is the 1st and latest version issued on 12/14/93. |
| <b>Original issued by:</b> | NC Design Section |  |
| <b>Translated on:</b>      | 4/28/96           |  |
| <b>Translated by:</b>      |                   |  |
| <b>Inspected by:</b>       |                   |  |

# 1. Applied Sequence

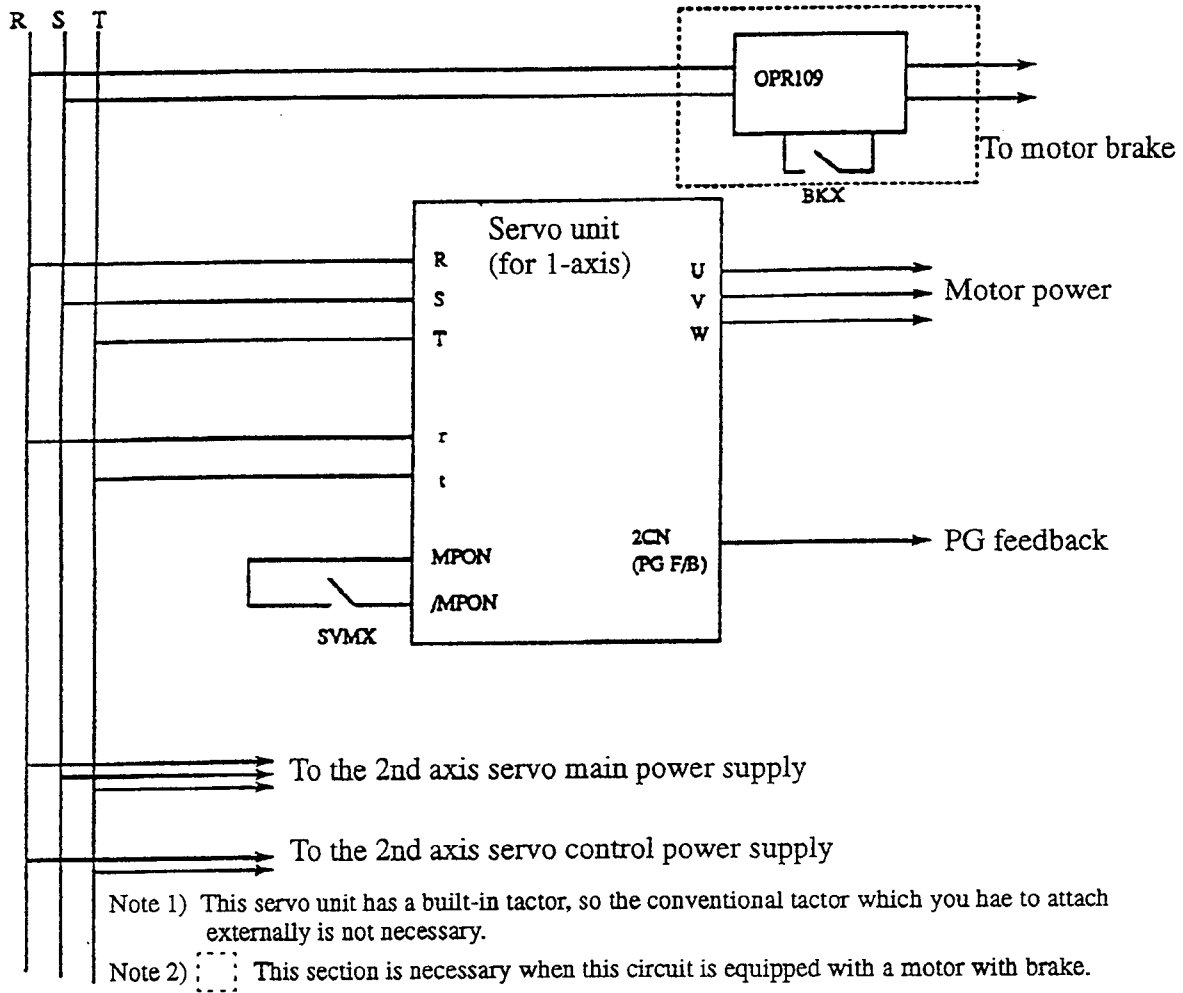
Details of the applied sequence connection.



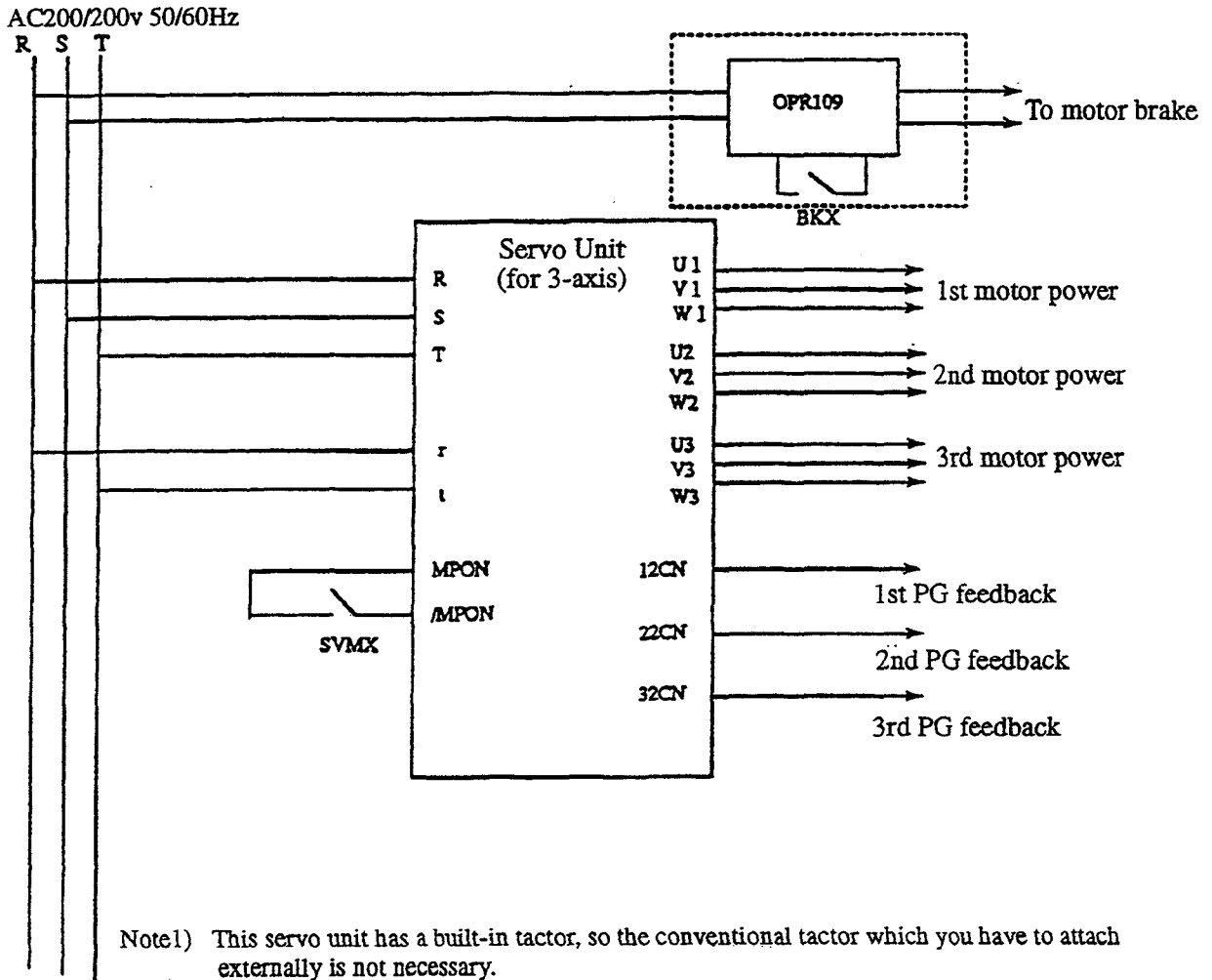
Note) To relay SVMX, BKX, use the miniature relay DC24V. (Recommended product MY-42 by OMRON).

# Main Circuit Connection (for 1-axis)

AC200/220v 50/60Hz



### Connection in the Main Circuit (for 3 axis)

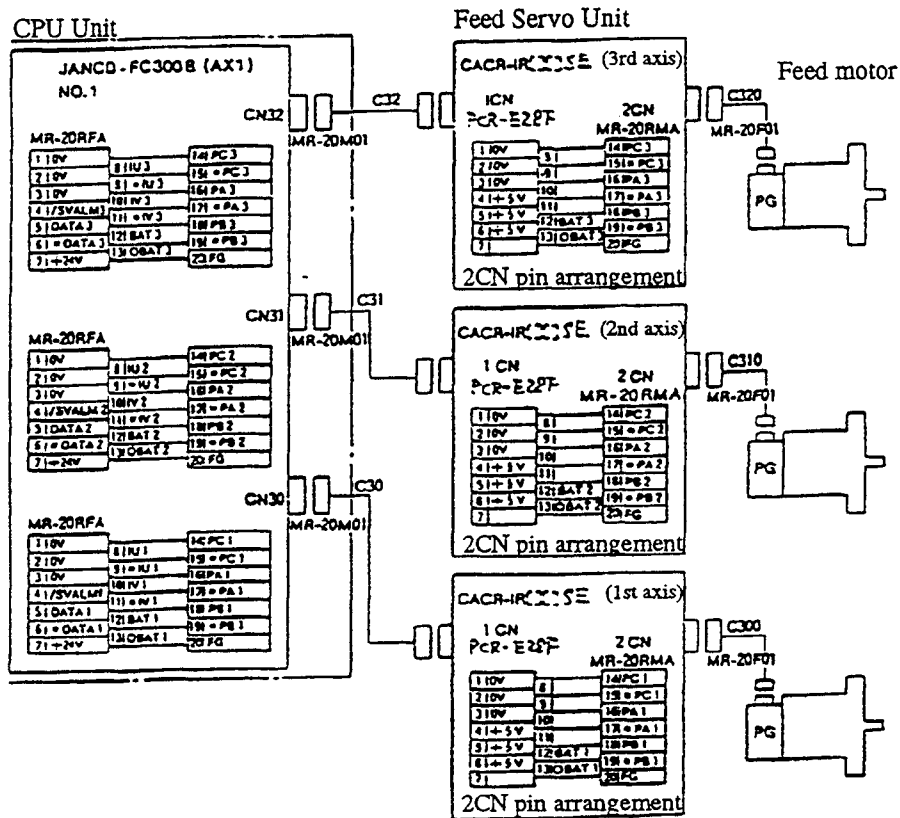


Note1) This servo unit has a built-in factor, so the conventional factor which you have to attach externally is not necessary.

Note 2)   This section is necessary when this circuit is equipped with a motor with brake.

## 2. Connection Between the Units

### (1) Cable



### Cable Connection

Note) In case of 3-axis servo, read the connector as follows:

#### 3-axis servo

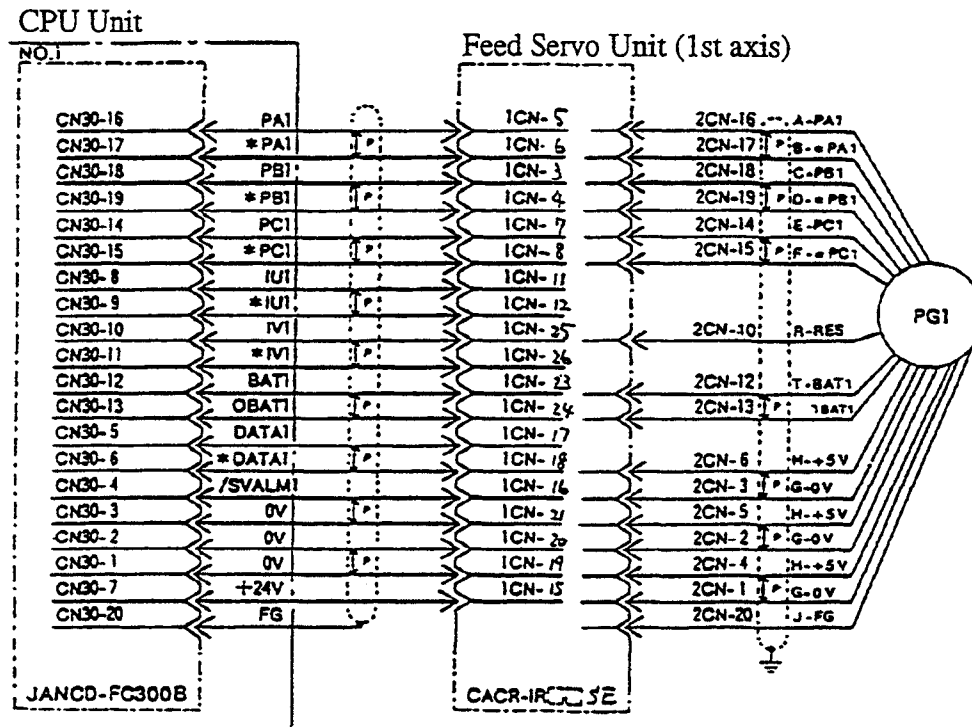
|          |     |      |
|----------|-----|------|
| 1st axis | 1CN | CN11 |
| 1st axis | 2CN | CN12 |
| 2nd axis | 1CN | CN21 |
| 2nd axis | 2CN | CN22 |
| 3rd axis | 1CN | CN31 |
| 3rd axis | 2CN | CN32 |

Req. C30 ~ C32 cables, use the cables we provide.

| Model              | Cable Length |
|--------------------|--------------|
| CABLE - WA00.5 - 1 | 0.5m         |
| CABLE - WA01.0 - 1 | 1.0m         |
| CABLE - WA01.5 - 1 | 1.5m         |
| CABLE - WA02.0 - 1 | 2.0m         |
| CABLE - WA02.5 - 1 | 2.5m         |
| CABLE - WA03.5 - 1 | 3.0m         |

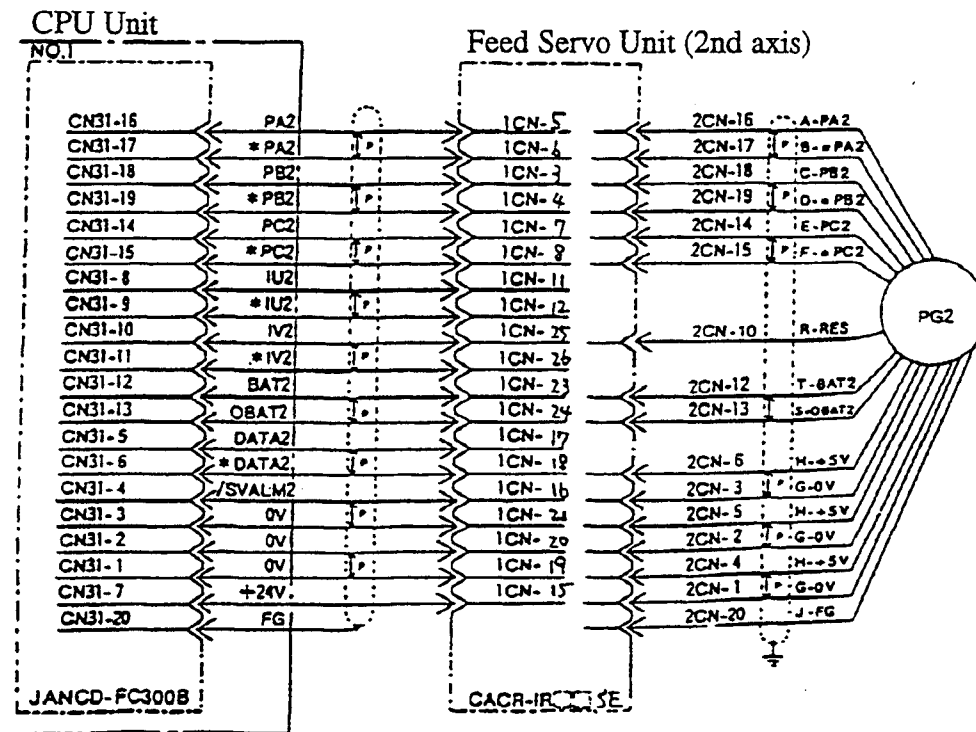
(2) Details of Connection with Feed Servo Unit

1) For the 1st axis

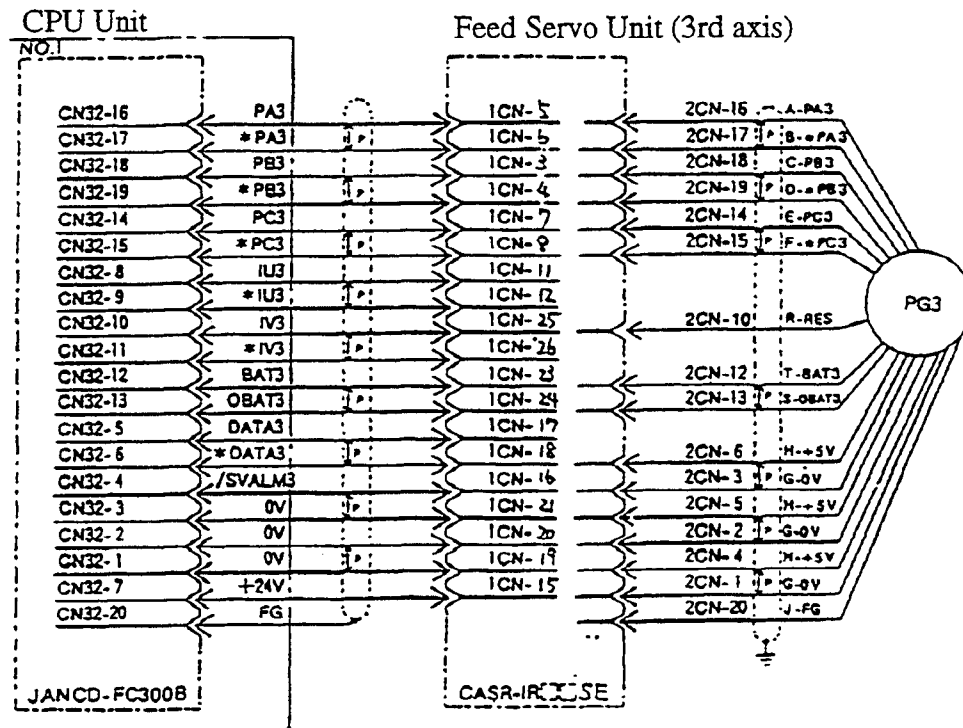




2) For the 2nd axis



3) For the 3rd axis



Note) In case of 3-axis servo unit, read the connector as follows:

3-axis servo

|          |     |      |
|----------|-----|------|
| 1st axis | 1CN | CN11 |
| 1st axis | 2CN | CN12 |
| 2nd axis | 1CN | CN21 |
| 2nd axis | 2CN | CN22 |
| 3rd axis | 1CN | CN31 |
| 3rd axis | 2CN | CN32 |

(3) Details of 3-Axis Combined Type Servo, Connector Section

- 1) Connector CN13, CN23, CN33 (less than 10, for 3 axes only) for connecting motors.

Specifications of the connector:

D3100 series connector by AMP (4-pin)

Servopack PWB mounted side 1 - 178297 - 5 (right angle)

Cable side 1 - 178288 - 3 (connector)

Connector Pin Arrangement

|                  |                  |                  |                 |
|------------------|------------------|------------------|-----------------|
| 1                | 3                | 5                | 8               |
| U                | V                | W                | FG              |
| Motor<br>U phase | Motor<br>V phase | Motor<br>W phase | Frame<br>Ground |

Specifications:

U and motor A terminal, V and motor B terminal, W and motor C connects terminal.

2) Connector CN3 for the main circuit power supply ON/OFF connecting point

Specifications of the connector:

D3100 series connector by AMP (3-pin)

Servopack PWB mounted side 1 - 178138 - 2 (right angle)  
 Cable side 1 - 178128 - 3 (connector)

Connector Pin Arrangement

|  |        |   |
|--|--------|---|
| 1  | 2      | 3 |
| MPON   | / MPON |   |
| Main power supply<br>ON/OFF connecting point |        |   |

Specifications:

Connecting point to cut the power of the main circuit power supply by turning the built-in contactor ON/OFF. AC200 ~ 230V 12mA.

3) Connector CN2 for control power supply

Specifications of the connector:

D3100 series connector (3-pin)

Servopack PWB mounted side 1 - 178298 - 5 (right angle)  
 Cable side 1 - 178288 - 3 (connector)

Connector Pin Arrangement

|                                       |   |                                       |
|---------------------------------------|---|---------------------------------------|
| 1                                     | 2 | 3                                     |
| r                                     |   | t                                     |
| Control power supply<br>Input r phase |   | Control power supply<br>Input t phase |

Specifications:

Single phase AC200 ~ 230 -15 ~ +10% 50 / 60Hz

### 3. Appendix

#### 1) Rating and Specifications

(1) For 1 axis

|                             |  |   |        |        |        |        |        |
|-----------------------------|--|---|--------|--------|--------|--------|--------|
| Corresponding Capacity Kw   |  | 0.5   | 1.0    | 1.5    | 2.0    | 3.0    | 4.4    |
| Control System Type CACR-   |  | iR05SE  | iR10SE | iR15SE | iR20SE | iR30SE | iR44SE |
| Input Power Supply          | Main circuit                             | 3 phase 200 ~ 230v + 10 ~ - 15% 50 / 60Hz   |        |        |        |        |        |
|                             | Control circuit                          | Single phase 200 ~ 230v + 10 ~ - 15% 50 / 60Hz  |        |        |        |        |        |
| Environmental Condition     |  | Temperature: 0 ~ +60°C<br>Storage temperature: -20 ~ +85°C<br>Usage, storage humidity: Less than 90% (no dew)   |        |        |        |        |        |
| Construction                |  | Rack mount Forced air cooling system (over 2.5m/s)  |        |        |        |        |        |
| Servo Output Characteristic | Rated current (Arms)                     | 4.2   | 7.6    | 11.7   | 18.8   | 26.0   | 33.0   |
|                             | Instantaneous max. current (Arms)        | 11.0  | 17.0   | 28.0   | 42.0   | 57.5   | 77.0   |
| Control Method              |  | 3-phase full-wave rectification iGBT PWM  |        |        |        |        |        |
| Feedback                    |  | Optical encoder   |        |        |        |        |        |
| I / O Signal                | Current Command                          | PWM input   |        |        |        |        |        |
|                             | Current Feedback                         | PWM output  |        |        |        |        |        |
|                             | Serial Cmu Method                        | Half duplicate sychronized method   |        |        |        |        |        |
|                             | Sequence Output Signal                   | / SVRDY   |        |        |        |        |        |
| Built-in Function           | Protective Function                      | * Overvoltage * Overcurrent * MCCB trip * Voltage drop * Open phase * Abnormal regeneration * Ground fault * Current command disconnection * Current command trouble * Abnormal current feedback * Abnormal CPU |        |        |        |        |        |
|                             | Display                                  | Alarm display, condition display  |        |        |        |        |        |
|                             | DB Function                              | Built in automatic DB which works when the main power supply is off, servo alarm occurred, servo is off.  |        |        |        |        |        |
|                             | Regenerative Process                     | Built-in  |        |        |        |        |        |
|                             | Main Power Supply Interrupting Contactor | Built-in  |        |        |        |        |        |
| Applied Load Inertia        |  | Within $GDm^2 \times 5$   |        |        |        |        |        |

(2) For 3 axis

| Corresponding Capacity Kw   |  | 0.5   | 1.0        | 1.5        |
|-----------------------------|--|---|------------|------------|
| Control System Type CACR-   |  | iR050505EB  | iR101010EB | iR151515EB |
| Input Power Supply          | Main circuit                             | 3 phase 200 ~ 230v + 10 ~ - 15% 50 / 60Hz   |            |            |
|                             | Control circuit                          | Single phase 200 ~ 230v + 10 ~ - 15% 50 / 60Hz  |            |            |
| Environmental Condition     |  | Temperature: 0 ~ +55°C<br>Storage temperature: -20 ~ +85°C<br>Usage, storage humidity: Less than 90% (no dew)   |            |            |
| Construction                |  | Rack mount Forced air cooling system (over 2.5m/s)  |            |            |
| Servo Output Characteristic | Rated current (Arms)                     | 4.2   | 7.6        | 11.7       |
|                             | Instantaneous max. current (Arms)        | 11.0  | 17.0       | 28.0       |
| Control Method              |  | 3-phase full-wave rectification iGBT PWM  |            |            |
| Feedback                    |  | Optical encoder   |            |            |
| I / O                       | Current Command                          | PWM input   |            |            |
|                             | Current Feedback                         | PWM output  |            |            |
| Signal                      | Serial Cmu Method                        | Half duplicate synchronized method  |            |            |
|                             | Sequence Output Signal                   | / SVRDY   |            |            |
| Built-in Function           | Protective Function                      | * Overvoltage * Overcurrent * MCCB trip * Voltage drop * Open phase * Abnormal regeneration * Ground fault * Current command disconnection * Current command trouble * Abnormal current feedback * Abnormal CPU |            |            |
|                             | Display                                  | Alarm display, condition display  |            |            |
|                             | DB Function                              | Built in automatic DB which works when the main power supply is off, servo alarm occurred, servo is off.  |            |            |
|                             | Regenerative Process                     | Built-in  |            |            |
|                             | Main Power Supply Interrupting Contactor | Built-in  |            |            |
|                             | Applied Load Inertia                     | Within $G D m^2 \times 5$   |            |            |

Note) The load ratio of each axis should be less than 70% in case the three axis is operated simultaneously.

2) Power Supply Capacity

| Model CACR- | Applied Motor USAGED- | Power Supply Capacity / Set KVA | Current Capacity A per one MCCB |
|-------------|-----------------------|---------------------------------|---------------------------------|
| iR05SE      | 05A*                  | 1.1                             | 5                               |
| iR10SE      | 09A*                  | 2.1                             | 8                               |
| iR15SE      | 13A*                  | 3.1                             | 10                              |
| iR20SE      | 20A*                  | 4.1                             | 12                              |
| iR30SE      | 30A*                  | 6.0                             | 18                              |
| iR44SE      | 44A*                  | 8.0                             | 24                              |
| iR050505EB  | 05A*                  | 3.1                             | 10                              |
| iR101010EB  | 09A*                  | 6.0                             | 18                              |
| iR151515EB  | 13A*                  | 8.0                             | 24                              |

3) Servo Unit and Calorific Value

| Servo Unit CACR- | Total Calorific Value | Internal Calorific Value (W) |                 |                 |
|------------------|-----------------------|------------------------------|-----------------|-----------------|
|                  |                       | 100% Load Factor             | 75% Load Factor | 50% Load Factor |
| iR05SE           | 100                   | 58                           | 52              | 49              |
| iR10SE           | 110                   | 61                           | 55              | 50              |
| iR15SE           | 130                   | 70                           | 63              | 58              |
| iR20SE           | 150                   | 73                           | 65              | 60              |
| iR30SE           | 200                   | 97                           | 82              | 71              |
| iR44SE           | 250                   | 112                          | 92              | 79              |
| iR050505EB       | 160                   | ---                          | 74              | 64              |
| iR101010EB       | 180                   | ---                          | 80              | 68              |
| iR151515EB       | 220                   | ---                          | 90              | 76              |

Note) 1. Internal calorific value: Residual calorific value in the box in case the fin of the servo unit is exposed to the atmosphere of over 2.5m/s.

2. The heat plan of the box in which the servo unit is installed is different from specification to specification, but usually a 70% load ration is applied.

4) SW Setup

(1) For 1-axis

SW1: For test only. Leave the initial setup as is.  
Setup - - - SW1 - 0 ~ 3; Open

SW2: Axis setup (determines the connector type)

| SW2   | NC Side Connector |
|-------|-------------------|
| 0     | FC300B CN30       |
| 1     | FC300B CN31       |
| 2     | FC300B CN32       |
| 3 ~ F | Invalid           |

(2) For 3 axes

SW1: For test only. Leave the initial setup as is.  
Setup - - - SW1 - 0, 1: Short SW1 - 2, 3: Open

SW2: Axis setup (Determines the connector type)

| SW2 | CN11<br>Connect to | CN21<br>Connect to | CN31<br>Connect to |
|-----|--------------------|--------------------|--------------------|
| 0   | FC300B CN30        | FC300B CN31        | FC300B CN32        |
| 1   | FC300B CN31        | FC300B CN30        | FC300B CN32        |
| 2   | FC300B CN31        | FC300B CN32        | FC300B CN30        |
| 3   | FC300B CN30        | FC300B CN32        | FC300B CN31        |
| 4   | FC300B CN32        | FC300B CN30        | FC300B CN31        |
| 5   | FC300B CN32        | FC300B CN31        | FC300B CN30        |
| 6   | FC300B CN30        | Invalid            | Invalid            |
| 7   | FC300B CN31        | Invalid            | Invalid            |
| 8   | FC300B CN32        | Invalid            | Invalid            |
| 9   | Invalid            | FC300B CN30        | Invalid            |
| A   | Invalid            | FC300B CN31        | Invalid            |
| B   | Invalid            | FC300B CN32        | Invalid            |
| C   | Invalid            | Invalid            | FC300B CN30        |
| D   | Invalid            | Invalid            | FC300B CN31        |
| E   | Invalid            | Invalid            | FC300B CN32        |
| F   | FC300B CN30        | FC300B CN31        | Invalid            |

5) Dimension Diagram

Refer to the following diagram.

| <b>Model</b>               | <b>Drawing</b> |
|----------------------------|----------------|
| CACR-iR05SEB               | DE9405341      |
| CACR-iR10SEB ~ 30SEB       | DE9405342      |
| CACR-iR44SEB               | DE9405343      |
| CACR-iR050505EB            | DE9301462      |
| CACR-iR101010EB ~ 151515EB | DE9301461      |







# YASNAC i80 CACR - iRSE Servo

## List of Alarms

This is a list of hardware alarms of CACR-iR SE type Servo applied to YASNAC i80. Other alarms are displayed on the NC CRT.

Refer to the operation manual (i80L: TO-C843-11.21, i80M: TO-C843-11.31) for details.

YASKAWA ELECTRIC AMERICA, INC.

|                     |                   |       |
|---------------------|-------------------|-------|
| Original issued on: | 10/18/93          | Note: |
| Original issued by: | NC Design Section |       |
| Translated on:      | 4/28/96           |       |
| Translated by:      |                   |       |
| Inspected by:       |                   |       |

| Display | Problem                                 | Contents  | SVRDY lights off |
|---------|---|---|------------------|
| 1       | Overcurrent detection                   | Overcurrent occurred in the main circuit.           | ○                |
| 2       | MCCB trip detection                     | MCCB tripped.                                       | ○                |
| 3       | Regenerative problem detection          | Regenerative process circuit in iAMP does not work. | ○                |
| 4       | Overvoltage detection                   | Voltage in the main circuit became abnormally high. | ○                |
| 6       | Insufficient voltage detection          | Voltage in the main circuit became abnormally low.  | ○                |
| 8       | Ground fault detection                  | Ground fault in the main circuit.                   | ○                |
| b       | Current offset problem detection        | Current offset problem or no current offset.        | ○                |
| E       | Current command disconnection detection | Current command cable is disconnected.              | ○                |
| F       | Open phase detection                    | 1 phase out of 3 is open.                           | ○                |
|         | CPU problem detection                   | Abnormal CPU.                                       | ○                |

- \* ○ : LED goes out when the problem is detected and /SVRDY becomes OFF.  
 × : LED does not go out when the problem is detected.

(ii) Hardware Trouble of 1-Axis

Table 2. Abnormal Hardware Detecting Function for 1-Axis

| Display | Problem                               | Contents  | SVRDY lights off |
|---------|---------------------------------------|---|------------------|
| H.1     | CPU ROM problem                       | ROM problem in CPU hardware.                    | ○                |
| H.2     | CPU RAM problem                       | RAM problem in CPU hardware.                    | ○                |
| H.3     | Serial communication problem 1        | Abnormal serial communication (test mode only). | ○                |
| H.4     | Serial communication problem 2        |   | ○                |
| H.5     | Gate alley problem                    | Abnormal gate alley.                            | ○                |
| H.8     | EEROM error                           | Abnormal EEROM.                                 | ○                |
| H.9     | 4 bit micro computer problem          | Abnormal 4 bit micro computer problem.          | ○                |
| H.a     | Current feedback problem with U phase | Abnormal U phase in current feedback.           | ○                |
| H.b     | Current feedback problem with V phase | Abnormal V phase in current feedback.           | ○                |

\* For H.C.G. LED shows "H" "C" "G" every second.


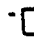

| Display                             | Problem                                 | Contents  | SVRDY<br>lights off      |
|-------------------------------------|---|---|--------------------------|
| Axis No. <input type="checkbox"/> 1 | Overcurrent detection                   | Overcurrent occurred in the main circuit.           | <input type="checkbox"/> |
| <input type="checkbox"/> 2          | MCCB trip detection                     | MCCB tripped.                                       | <input type="checkbox"/> |
| <input type="checkbox"/> 3          | Regenerative problem detection          | Regenerative process circuit in iAMP does not work. | <input type="checkbox"/> |
| <input type="checkbox"/> 4          | Overvoltage detection                   | Voltage in the main circuit became abnormally high. | <input type="checkbox"/> |
| <input type="checkbox"/> 6          | Insufficient voltage detection          | Voltage in the main circuit became abnormally low.  | <input type="checkbox"/> |
| Axis No. <input type="checkbox"/> 8 | Ground fault detection                  | Ground fault in the main circuit.                   | <input type="checkbox"/> |
| Axis No. <input type="checkbox"/> b | Current offset problem detection        | Current offset problem or no current offset.        | <input type="checkbox"/> |
| Axis No. <input type="checkbox"/> E | Current command disconnection detection | Current command cable is disconnected.              | <input type="checkbox"/> |
| <input type="checkbox"/> F          | Open phase detection                    | 1 phase out of 3 is open.                           | <input type="checkbox"/> |
| <input type="checkbox"/>            | CPU problem detection                   | Abnormal CPU.                                       | <input type="checkbox"/> |

\* For \*  Axis No.  LED displays "  Axis No. - -  -  " every second.

\*  : LED goes out when the problem is detected and /SVRDY becomes OFF.

× : LED does not go out when the problem is detected.

| Display | Problem                                    | Contents  | SVRDY<br>lights off |
|---------|--|---|---------------------|
| H.01    | CPU ROM problem                            | ROM problem in CPU hardware.                              | ○                   |
| H.02    | CPU RAM problem                            | RAM problem in CPU hardware.                              | ○                   |
| H.03    | Serial communication<br>problem 1          | Abnormal serial communication (test mode only).           | ○                   |
| H.04    | Serial communication<br>problem 2          |   | ○                   |
| H.05    | Gate alley problem 1                       | Abnormal 1st axis gate alley.                             | ○                   |
| H.06    | Gate alley problem 2                       | Abnormal 2nd axis gate alley.                             | ○                   |
| H.07    | Gate alley problem 3                       | Abnormal 3rd axis gate alley.                             | ○                   |
| H.08    | EEROM Error                                | Abnormal EEROM.   | ○                   |
| H.09    | 4-bit micro computer                       | Abnormal 4-bit micro computer.                            | ○                   |
| H.0A    | Current feedback problem<br>with 1 U phase | Abnormal current feedback problem on 1st axis U phase.    | ○                   |
| H.0b    | Current feedback problem<br>with 1 V phase | Abnormal current feedback problem on 1st axis V phase.    | ○                   |
| H.0c    | Current feedback problem<br>with 2 U phase | Abnormal current feedback problem on 2nd axis U<br>phase. | ○                   |
| H.0d    | Current feedback problem<br>with 2 V phase | Abnormal current feedback problem on 2nd axis V<br>phase. | ○                   |
| H.0E    | Current feedback problem<br>with 3 U phase | Abnormal current feedback problem on 3rd axis U<br>phase. | ○                   |
| H.0F    | Current feedback problem<br>with 3 V phase | Abnormal current feedback problem on 3rd axis V<br>phase. | ○                   |

\* For : H.09 LED shows    every second.





YPTE OF CONTROL :

YASNAC i80 M

TITLE :

ABSOLUTE POSITION DETECT FUNCTION

Contents :

1. Summary
2. Setting process
3. Adjustment of stopping position at Zero Return Position
4. NC · SV Alarm
  - 4-1. Confirmation of the contents of Alarm
  - 4-2. Alarms
  - 4-3. Reversion process after Alarm
  - 4-4. While Alarm [2131], [2132], [2133] with position gap
5. Relative parameters
6. Others

YASKAWA ELECTRIC AMERICA, INC.

|                    |                     |       |
|--------------------|---------------------|-------|
| Original issued on | 5/24/93             | Note: |
| Original issued by | Yaskawa Engineering |       |
| Translated on      | 7/15/93             |       |
| Translated by      | K.P.                |       |
| Inspected by       |                     |       |



## 1. Summary

This manual explains about Alarms and Setup for Absolute Position Detecting Function.

## 2. Setting method

- 1) Input Option Parameter of Absolute Value detecting function and Parameter in numerical value according to the list of Parameters.
- 2) Turn of the power once and start again.
- 3) Set Pm109 as [1]. (Parameters can be rewritten )
- 4) Practice manual Zero Return.
- 5) After process 4), check Parameters to see if they are ;  
pm8000.0 = 1 (X axis)  
pm8000.1 = 1 (Y axis)  
pm8000.2 = 1 (Z axis)  
(These can be confirmed on Maintenance Process Setup display, too)
- 6) Set Pm109 as [0].
- 7) Turn off the power. Now setting is done.

## 3. Adjusting stopping position at Zero Return Position.

- 1) Set Pm109 as [1] (Parameter can be rewritten)
- 2) After Manual Zero Return, set parameters as ;  
pm8000.0 = 0 (X axis)  
pm8000.1 = 0 (Y axis)  
pm8000.2 = 0 (Z axis)  
to be Zero Setting Incomplete condition and then press Reset Key.  
(This can be done on Maintenance Process Setup display)
- 3) Change the numerical value of Parameter pm4551 - 4553 (Supposed C phase shifting distance) and adjust the position of Zero Return. After changing, Reset Key must be pressed.
- 4) Practice Manual Zero Return.
- 5) After 4) is done, confirm parameters to be pm8000.0 = 1 (X axis)  
pm8000.1 = 1 (Y axis)  
pm8000.2 = 1 (Z axis)  
(This can be confirmed on Maintenance Process Setup display)
- 6) If the stopping position is different, repeat the process from 2).
- 7) Set Pm109 as [0]. (Parameters cannot be rewritten)

## 4. NC · SV Alarm

### 4.1 Confirm the contents of Alarm

- 1) Bring up Alarm Job display in common process.  
Jot down the illuminated Alarm.  
If Servo Alarm [3100 ~ 3109] are displayed, you have to jot down Alarm on SV Alarm Function display.
- 2) If the following Alarms are lit, practice the process in 4 - 3.  
Alarm No. 2131 ABSO POS CHECK ERROR (X axis)  
Alarm No. 2132 ABSO POS CHECK ERROR (Y axis)  
Alarm No. 2133 ABSO POS CHECK ERROR (Z axis)
- 3) Refer Operation Manual, Appendix for other Alarms and confirm the details with Maintenance Manual or give us a call.

### 4-1. Alarms

- 1) Alarm No. 2131 ABSO POS CHECK ERROR (X axis)  
Alarm No. 2132 ABSO POS CHECK ERROR (Y axis)  
Alarm No. 2133 ABSO POS EHCEKC ERROR (Z axis)  
Contents : The difference between the positions at the time of activation and the previous power-off is bigger than the value of Parameter setting.
- 2) Alarm No. 3161 ABSO ERROR (X axis)  
Alarm No. 3162 ABSO ERROR (Y axis)  
Alarm No. 3163 ABSO ERROR (Z axis)  
Contents : Detection of Erroneous operation of Absolute Encoder
- 3) Alarm No. 3181 ABSO ERROR (X axis)  
Alarm No. 3182 ABSO ERROR (Y axis)  
Alarm No. 3183 ABSO ERROR (Z axis)  
Contents: Detection of PG Counter Erroneous operation of Absolute Encoder
- 4) Above Alarms are lit when changing Motors, so PG Connector, R-S Short of motors must be practiced thoroughly as shown in 6).



8) Set Pm109 as [0]. (Parameters can be rewritten)

9) Check to see there is no Alarm. Now all the process is completed.

4-4. When Alarm [2131], [2132], [2133] are lit for Position Gap.

1) When Alarms are lit, write down the contents of the following items.

1. Machine Coordinate system of Position display
2. Parameter Pm8801 Machine Coord. System value when X axis power is off  
Pm8802 Machine Coord. system value when Y axis power is off.  
Pm8803 Machine Coord. system value when Z axis power is off.
3. Parameter Pm8811 Offset quantity for X Axis Zero setting  
Pm8812 Offset quantity for Y axis Zero setting  
Pm8813 Offset quantity for Z axis Zero setting
4. Parameter Pm8411 Limited value of X axis position gap  
Pm8412 Limited value of Y axis position gap  
Pm8413 Limited value of Z axis position gap
5. Parameter Pm8000.0 X axis Zero Position setting condition  
Pm8000.1 Y axis Zero Position setting condition  
Pm8000.2 Z axis Zero Position setting condition
6. Parameter Pm8001.0 X axis position gap condition  
Pm8001.1 Y axis position gap condition  
Pm8001.2 Z axis position gap condition

2) After the contents of the above items are jot down, practice the process following once 6. and then 4-3.

3) If this problem occurs frequently, please let us know with the contents of your memo.

#### 5. Relative Parameters

Pm1044.4=1 X axis Absolute Position Detection  
Pm1045.4=1 Y axis Absolute Position Detection  
Pm1046.4=1 Z axis Absolute Position Detection

Pm8411 Limited value of X axis Position Gap (1=0.001mm)  
Pm8412 Limited value of Y axis Position Gap (1=0.001mm)  
Pm8413 Limited value of Z axis Position Gap (1=0.001mm)  
( in case of mm system)

Pm8801 Machine Coord. system when the power for X axis is turned off  
Pm8802 Machine Coord.. system when the power for Y axis is turned off  
Pm8803 Machine Coord. system when the power for Z axis is turned off

NCA93-1007-5/6

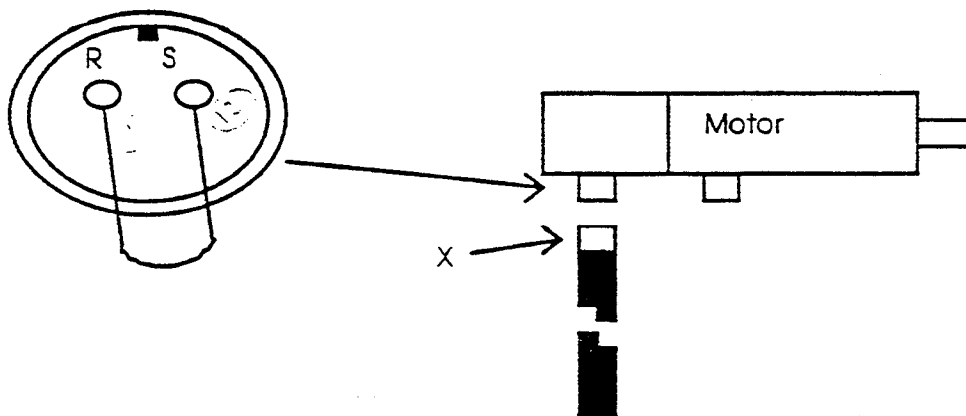
|  |   |
|--|---|
| pm8811   | Offset quantity for X axis Zero setting (Automatic setting) |
| pm8812   | Offset quantity for Y axis Zero setting (Automatic setting) |
| pm8813   | Offset quantity for Z axis Zero setting (Automatic setting) |
| pm8000.0   | X axis Zero Position setting condition                      |
| pm8000.1   | Y axis Zero Position setting condition                      |
| pm8000.2   | Z axis Zero Position setting condition                      |
| Pm8001.0   | X axis Position gap condition                               |
| Pm8001.1   | Y axis Position gap condition                               |
| Pm8001.2   | Z axis Position gap condition                               |
| Pm4551   | X axis Supposed C Phase shifting distance                   |
| Pm4552   | Y axis Supposed C Phase shifting distance                   |
| Pm4553   | Z axis Supposed C Phase shifting distance                   |
| (This is an additional Parameter comes with additional new function) |   |
| Pm4451   | Final running distance for X axis Reference Point Return    |
| Pm4452   | Final running distance for Y axis Reference Point Return    |
| Pm4453   | Final running distance for Z axis Reference Point Return    |

## 6. Others

- 1) This is a necessary process when changing Motor (PG).
- 2) Sometimes the contents of memory within PG to be changed to incorrect. So remove PG cable of Motor and practice R-pin S-pin short of PG connector on Motor side.  
(See the draw. below)  
Short must be practiced more than 5 minutes.

3)

Turn off the power before you operate this process.





## Changing Procedure for IR type Servo unit

1. Machine side main breaker off.
2. Remove all wires and connectors from IR servo unit.
3. Replace unit.
4. Connect all wires and connectors to unit.
5. SB Type : Set all jumper pin (SW1~SW4).  
SE and SEB Type : Set a rotary switch to same with original unit.

